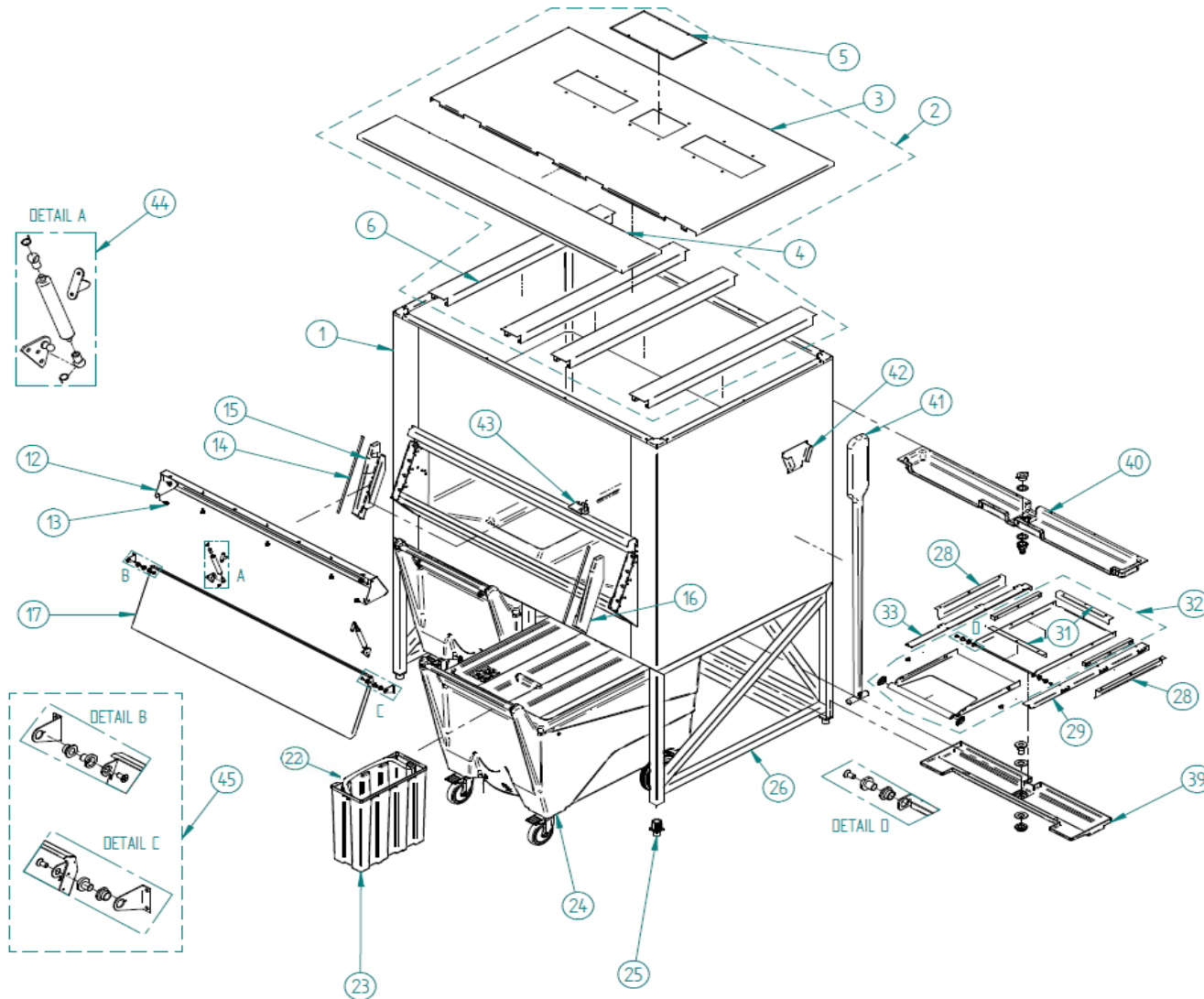


BCD BIN WITH CART



DESPIECE / REPUESTOS
EXPLODED VIEW / SPARE PARTS
EXPLOSIONSZEICHNUNG / ERSATZTEILE
VUE ÉCLATÉE / PIÈCES DÉTACHÉES
ESPLOSO / RICAMBI

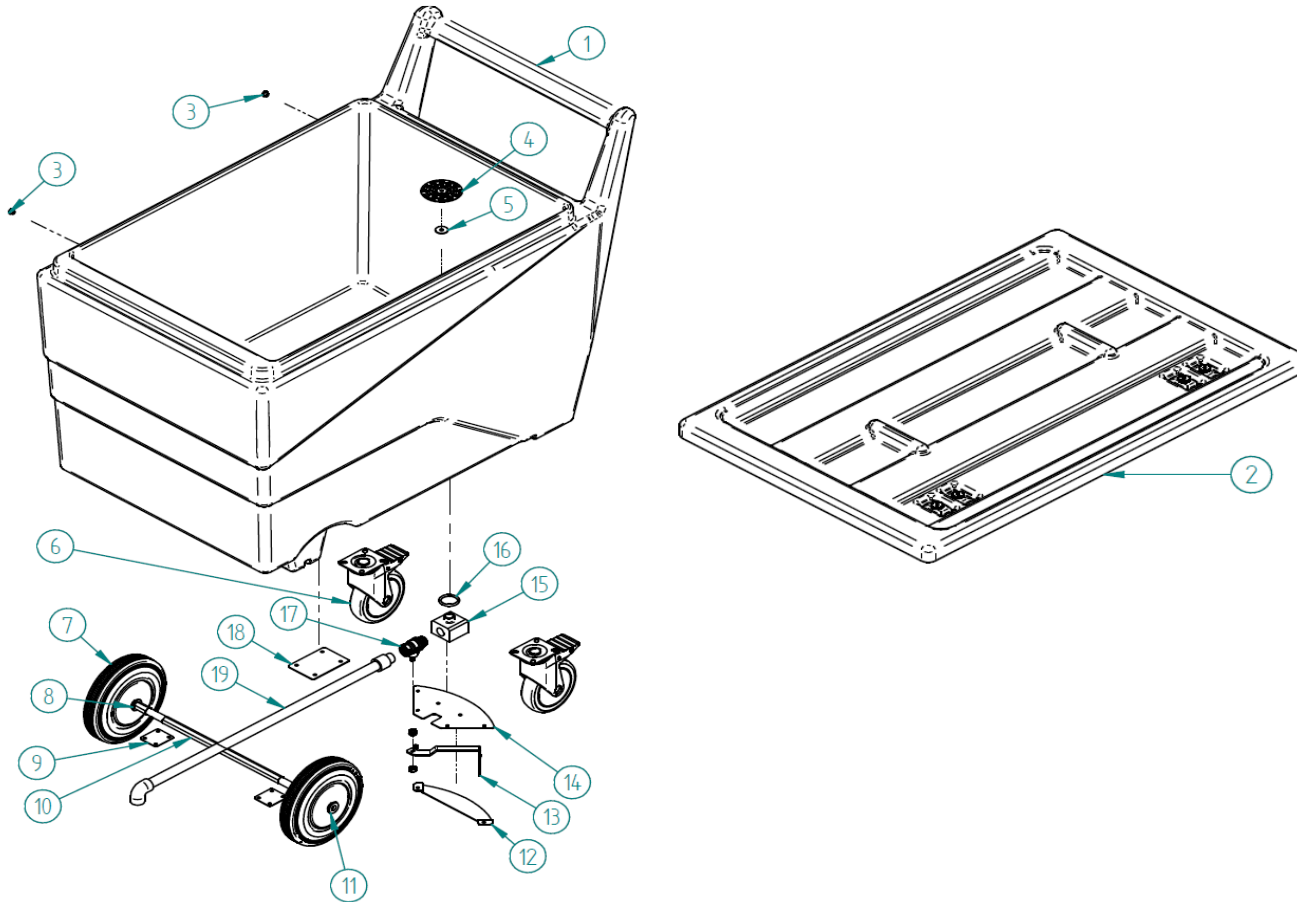


		DESCRIPTION	
1	BIN		
		BCD 440	31233
		BCD 600	31232
		BCD 800	31231
2	COVER BIN KIT		
		BCD 440 GR	31222
		BCD 600-800 GR	31221
		BCD 440 SC-HD-SS150	31224
		BCD 600-800 SC-HD-SS150	31223
		BCD 440 SS400	31226
		BCD 600-800 SS400	31225
3	FIXED COVER SIDE		
		GR	30296
		SC-HD-SS150	8753
		SS400	30454
4	UNFIXED COVER SIDE		
		GR	30297
		SC-HD-SS150	30443
		SS400	30455
5	ICE CHUTE COVER		30456
6	BIN COVER REINFORCEMENT		
		BCD 440	8999
		BCD 600-800	30185
12	ICE DEFLECTOR		8752
13	SCREW M-5 INOX x7		6796
14	STRAIGHT CONTOUR 10X2		6815
15	LEFT SIDE EXIT FINISH		8865
16	RIGH SIDE EXIT FINISH		8864
17	BIN DOOR		8882
22	BASKET HANDLE		8860
23	CART-MOUNTED BASKET		8859
24	CART		8927
25	ADJUSTABLE LEG INOX 40X40		30138
26	BIN METALLIC STRUCTURE		8849
28	DEFLECTOR BRACKET		8766
29	LEFT GUILLOTINE GUIDE BRACKET		8854
31	ICE EXIT SPAT		8765
32	GUILLOTINE KIT		31215
33	RIGHT GUILLOTINE GUIDE BRACKET		8857
39	LOWER DRAIN TRAY SET		31212
40	UPPER DRAIN TRAY SET		31211
41	BIN SHIVEL		30148
42	SHOVEL SUPPORT KIT		31213
44	SPRING KIT		31706
45	DOOR AXLE KIT		31707
*	GUILLOTINE AXLE KIT (DETALLE D)		31337

CART



BIN WITH CART



DESCRIPTION		
1	CART	8926
2	CART COVER	31217
3	SCREW FOR THE COVER	8843
4	DRAIN GRILL	8838
5	WATER DEFLECTOR	1582
6	REAR WHEEL	8862A
7	REAR WHEEL before s/n 18267761	8862
8	FRONT WHEEL 200 MM DIAM	8861
9	INT. WASHER FRONT WHEEL	8836
10	ANCHOR SHEET FRONT WHEEL	8736
11	FRONT WHEEL SHAFT	8863
12	EXT. WASHER FRONT WHEEL	8837
13	SUPPORT BRIDGE	8842
14	DRAIN VALVE FAUCET	8839
15	ANCHOR SHEET VALVE	8841
16	DRAIN CONNECTION	8840
17	O-RING 32X4	8869
18	BALL VALVE 1/2" M-H	8868
19	ANCHOR SHEET DRAIN TUBE	8737
	CART DRAIN TUBE	31216