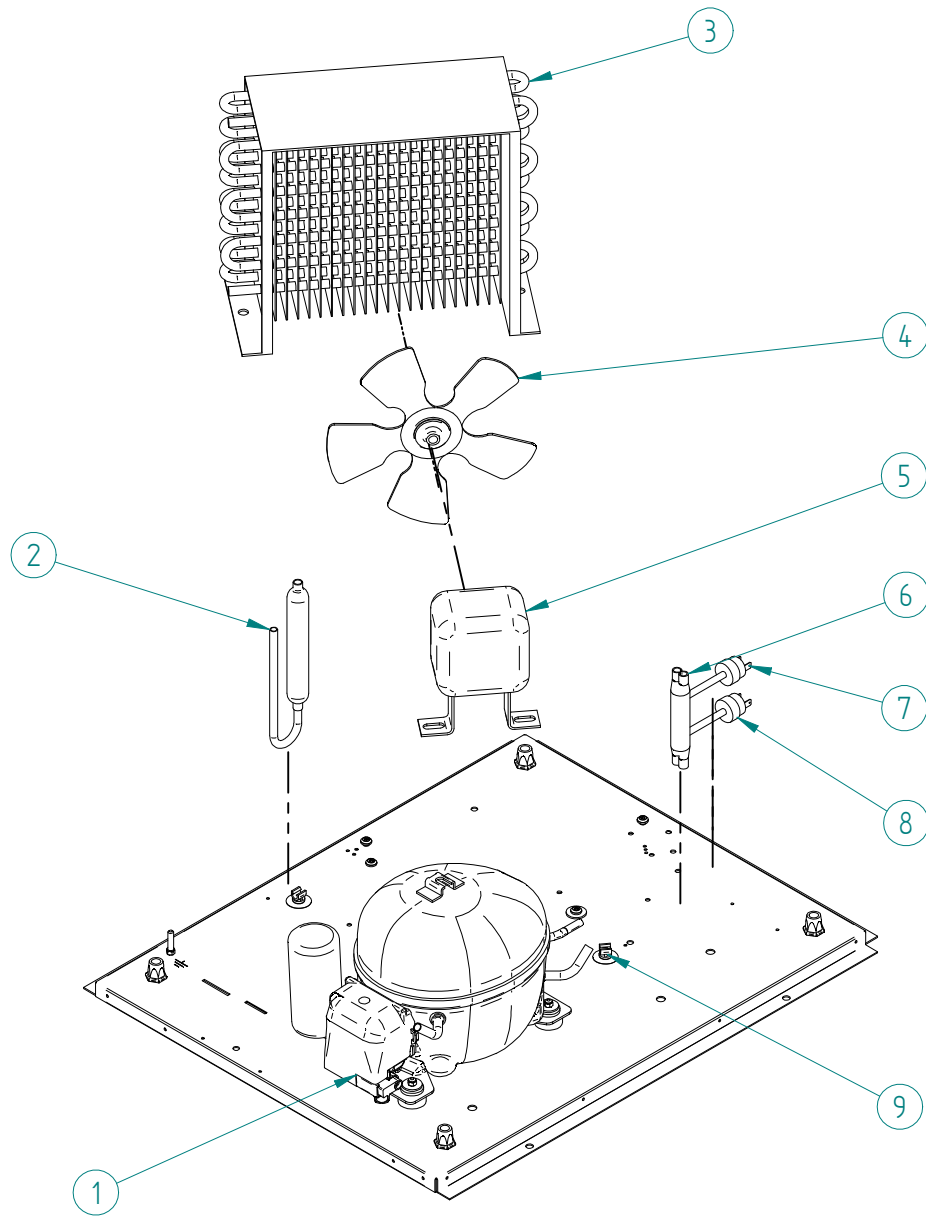
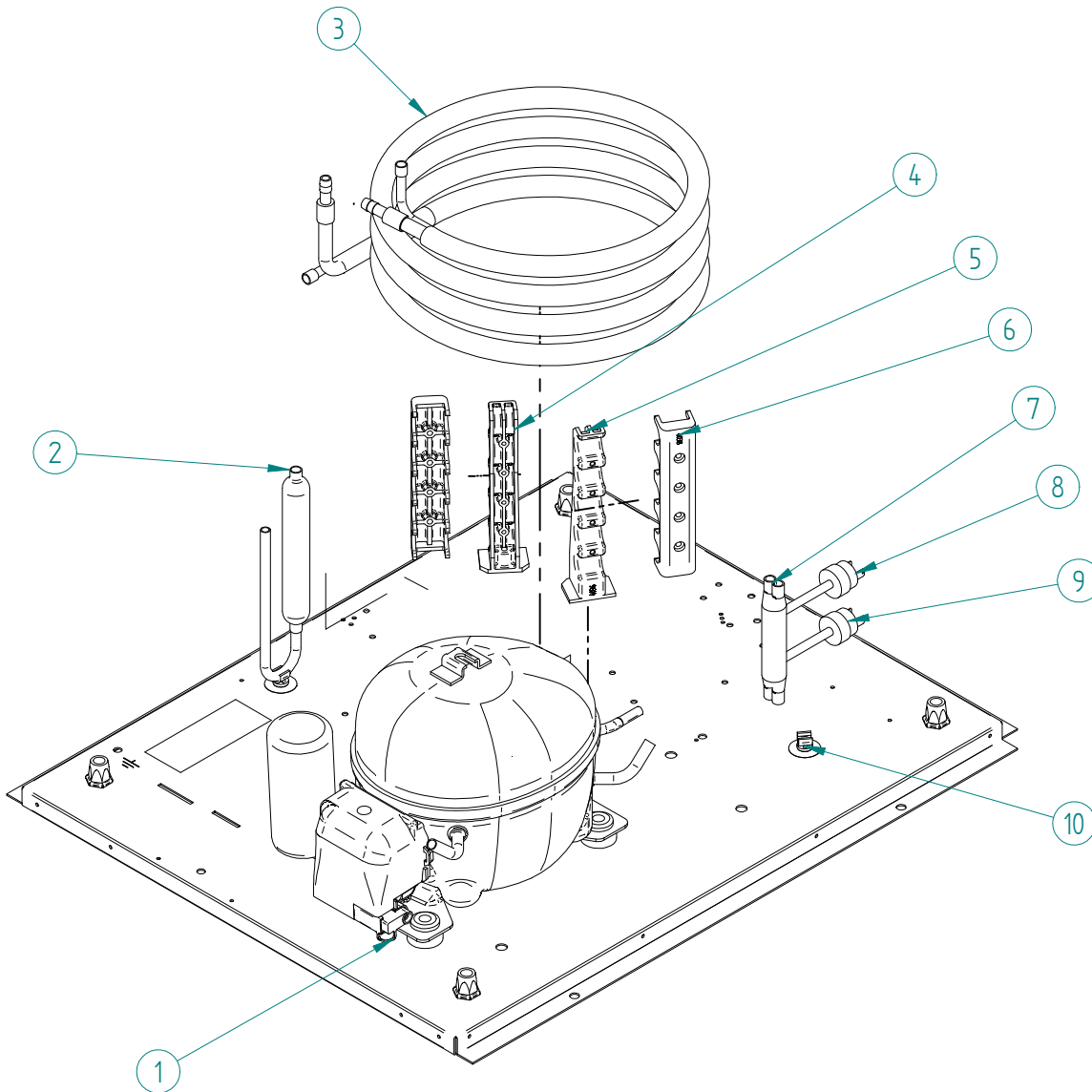




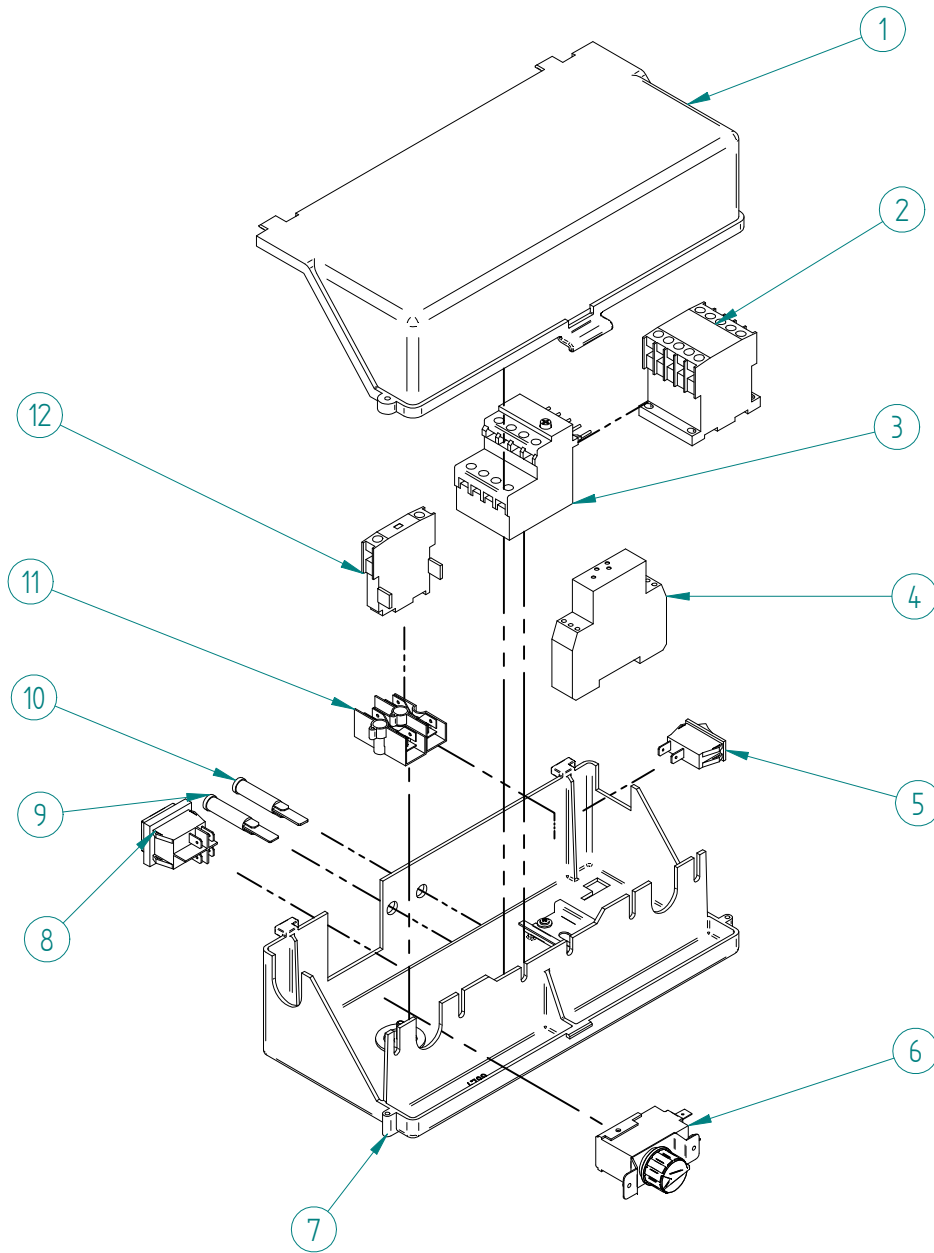
DESPIECE / REPUESTOS
EXPLODED VIEW / SPARE PARTS
EXPLOSIONSZEICHNUNG / ERSATZTEILE
VUE ÉCLATÉÉ / PIÈCES DÉTACHÉES
ESPLOSO / RICAMBI



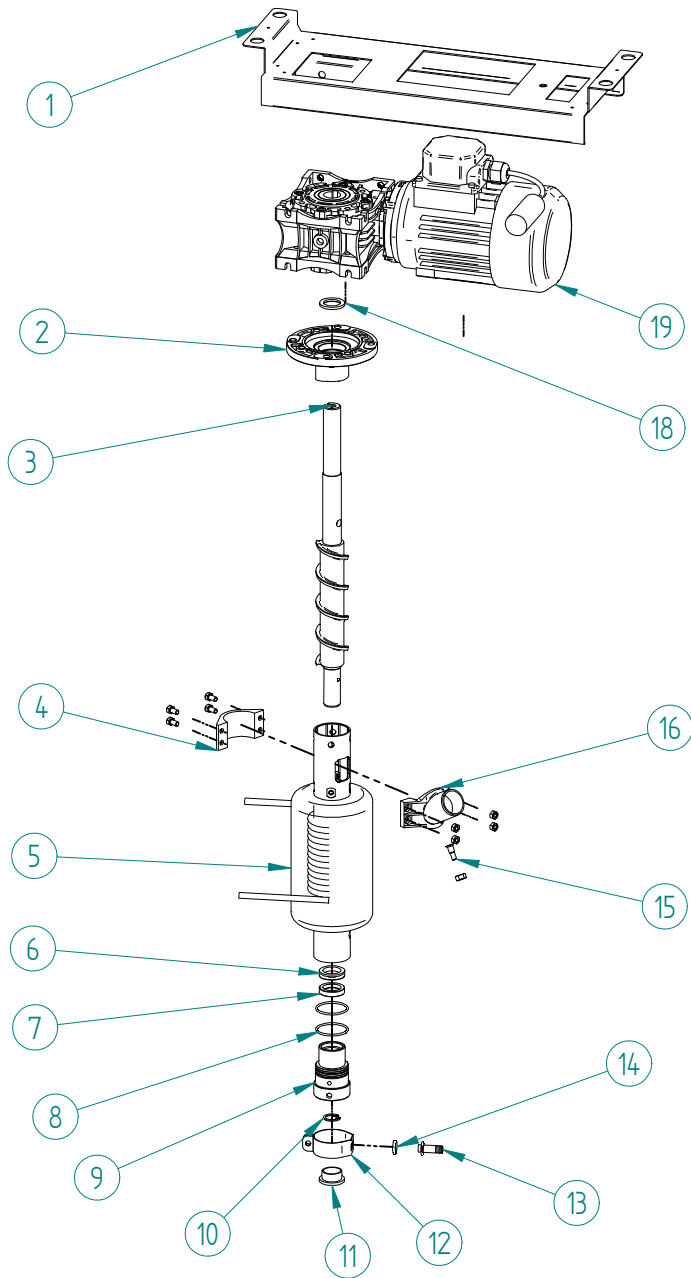
| ITEM | DESCRIPTION | 55 | 90 |
|------|-----------------------------|--------|-------|
| 1 | COMPRESSOR 220V/50HZ | 31300 | 31301 |
| 2 | FILTER DRIER | 7896 | |
| 3 | AIR CONDENSER | 491 | |
| 4 | FAN BLADE | 4040 | 4887 |
| 5 | FAN MOTOR 220V/50HZ | 2170A | 960 |
| 6 | PRESSURE SWITCH COLLECTOR | 31444 | |
| 7 | FAN CONTROL PRESSURE SWITCH | 31160E | |
| 8 | HIGH PRESSURE SWITCH | 31660E | |
| 9 | PLASTIC CLIP 1/4" | 3533 | |



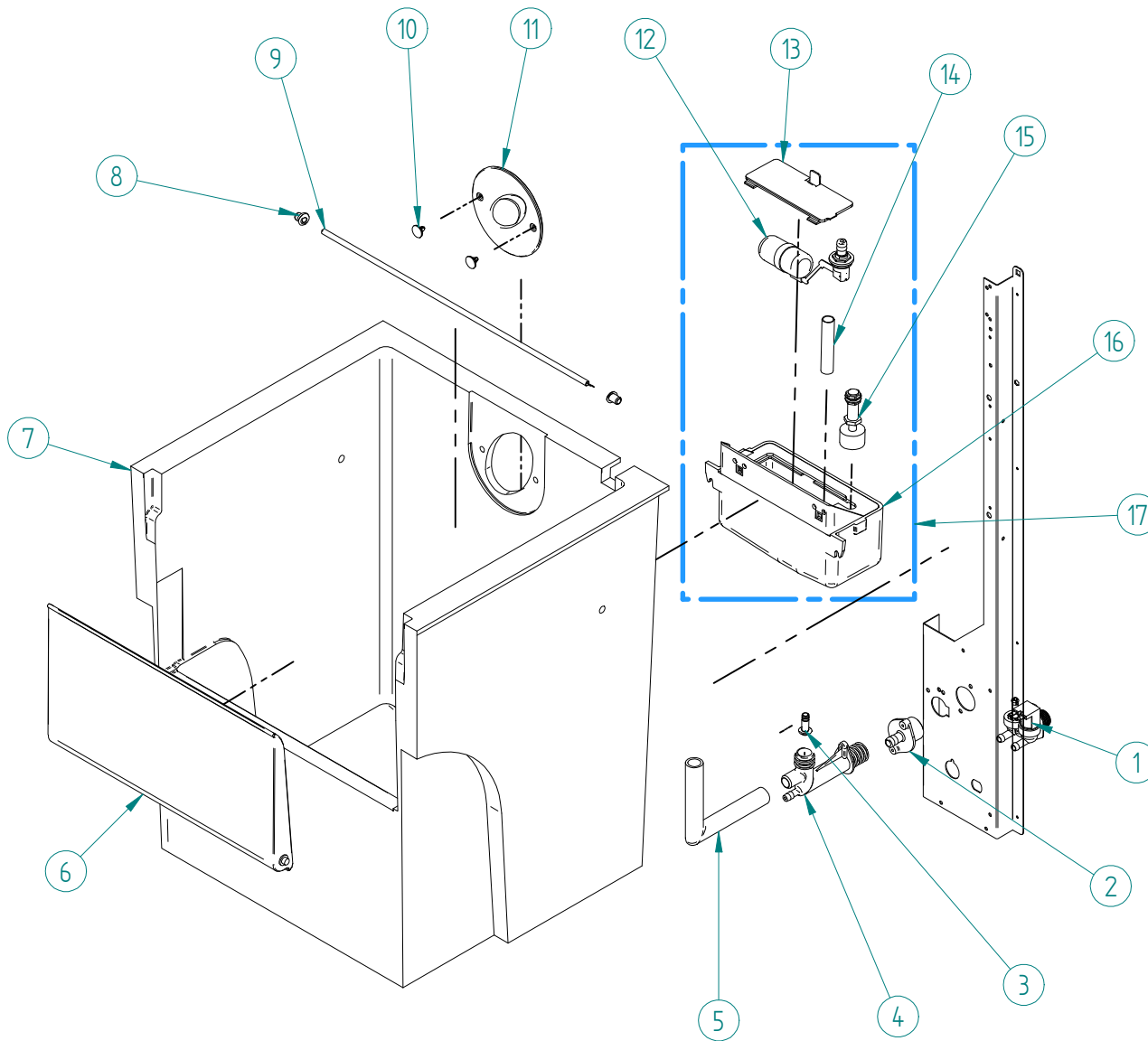
| ITEM | DESCRIPTION | 55 | 90 |
|------|----------------------------------|--------|-------|
| 1 | COMPRESSOR 220V/50HZ | 31300 | 31301 |
| 2 | FILTER DRIER | 7896 | |
| 3 | AIR CONDENSER | 5016 | 5017 |
| 4 | WATER CONDENSER LOWER SUPPORT | 4037 | |
| 5 | WATER CONDENSER UPPER SUPPORT | 4036 | |
| 6 | WATER CONDENSER EXTERNAL SUPPORT | 4038 | |
| 7 | PRESSURE SWITCH COLLECTOR | 31444 | |
| 8 | FAN CONTROL PRESSURE SWITCH | 31160E | |
| 9 | HIGH PRESSURE SWITCH | 31660E | |
| 10 | PLASTIC CLIP 1/4" | 3533 | |



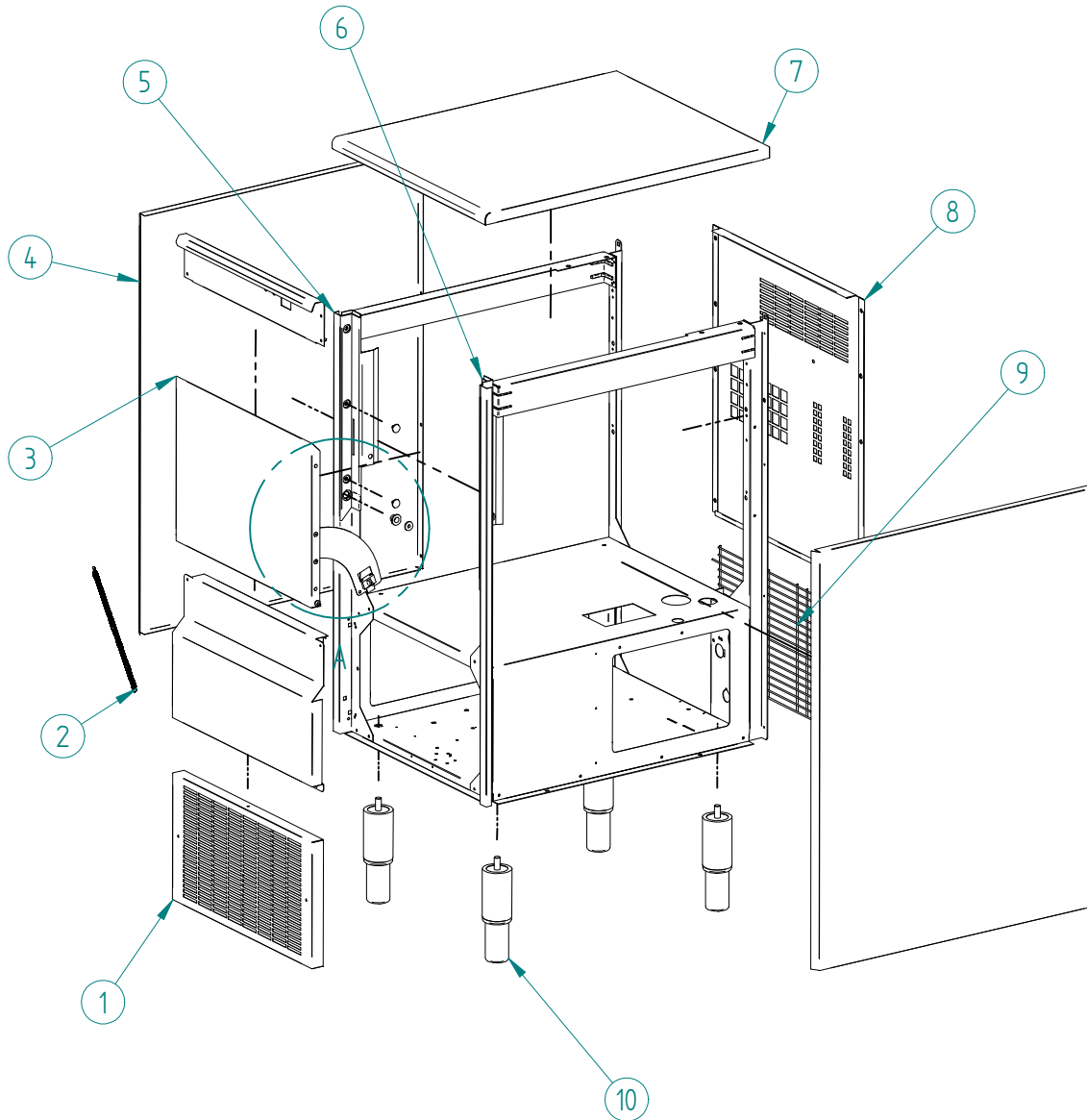
| ITEM | DESCRIPTION | 55-90 |
|------|---------------------|-------|
| 1 | ELECTRIC BOX COVER | 4790 |
| 2 | CONTACTOR 220V/50HZ | 1002A |
| 3 | RELAY 220V/50HZ | 1003 |
| 4 | TIMER | 2471 |
| 5 | CLEANING SWITCH | 2300 |
| 6 | BIN THERMOSTAT | 274 |
| 7 | ELECTRIC BOX | 4789 |
| 8 | ON/OFF SWITCH | 6597 |
| 9 | RED LED | 1457 |
| 10 | AMBER LED | 1458 |
| 11 | TERMINAL BLOCK | 5177 |
| 12 | AUXILIARY CONTACT | 1004 |



| ITEM | DESCRIPTION | 55-90 |
|------|------------------------------------|-------------------|
| 1 | GEAR MOTOR SUPPORT | 6044 |
| 2 | FLANGE/PLATE | 109 |
| 3 | AUGER | 115E |
| 4 | EVAPORATOR FLANGE | 1008 |
| 5 | EVAPORATOR | 7012C |
| 6 | V-RING | 80 |
| 7 | DOUBLE SEAL | 75 |
| 8 | O-RING BEARING | 86 |
| 9 | LOWER BEARING | 97B |
| 10 | INNER RING | 1390 |
| 11 | BEARING CAP | 92 |
| 12 | INLET WATER FLANGE | 211 |
| 13 | INLET WATER | 1005 |
| 14 | INLET WATER O-RING | 1006 |
| 15 | DRAINAGE | 785 |
| 16 | OUTLET ICE TUBE | 1007 |
| 17 | OUTLET ICE O-RING | 1391 |
| 18 | SPACER | 6072 |
| 19 | GEAR MOTOR | 220V/50HZ 6486 |
| 20 | EVAPORATOR ASSEMBLY (From 3 to 17) | 6037C |



| ITEM | DESCRIPTION | 55-90 |
|------|-----------------------------|-------------|
| 1 | INLET WATER VALVE 220V/50HZ | 1910 + 4526 |
| 2 | INLET WATER FITTING | 1689 |
| 3 | INLET WATER PIN | 1005 |
| 4 | DRAIN FITTING | 363 |
| 5 | DRAIN TUBE | 33766 |
| 6 | DOOR SUPPORT | 1123 |
| 7 | BIN | 7380 |
| 8 | THERMOSTAT JOINT | 666 |
| 9 | THERMOSTAT TUBE | 5219 |
| 10 | CLIP | 113 |
| 11 | OUTLET ICE TUBE | 1053 |
| 12 | FLOAT VALVE | 5340 |
| 13 | WATER BIN COVER | 1968G |
| 14 | OVERFLOW TUBE | 2505 |
| 15 | WATER LEVEL SENSOR | 5423 |
| 16 | WATER BIN | 1966A |
| 17 | WATER BIN ASSEMBLY | 5231A |



| ITEM | DESCRIPTION | 55-90 |
|------|------------------|-------|
| 1 | FRONT LOUVER | 4400 |
| 2 | DOOR SPRING | 702 |
| 3 | DOOR ASSEMBLY | 5030 |
| 4 | BOTH SIDE PANEL | 489UA |
| 5 | LEFT DOOR GUARD | 83 |
| 6 | RIGHT DOOR GUARD | 82 |
| 7 | TOP PANEL | 920A |
| 8 | REAR COVER | 635A |
| 9 | REAR GRILL | 1728 |
| 10 | LEG | 1478 |
| 11 | DOOR AXE BEARING | 1001 |
| 12 | DOOR AXE BUSHING | 155 |
| 13 | CLIP | 113 |
| 14 | DOOR BUMPER | 156 |
| 15 | DOOR SCREW | 392 |

