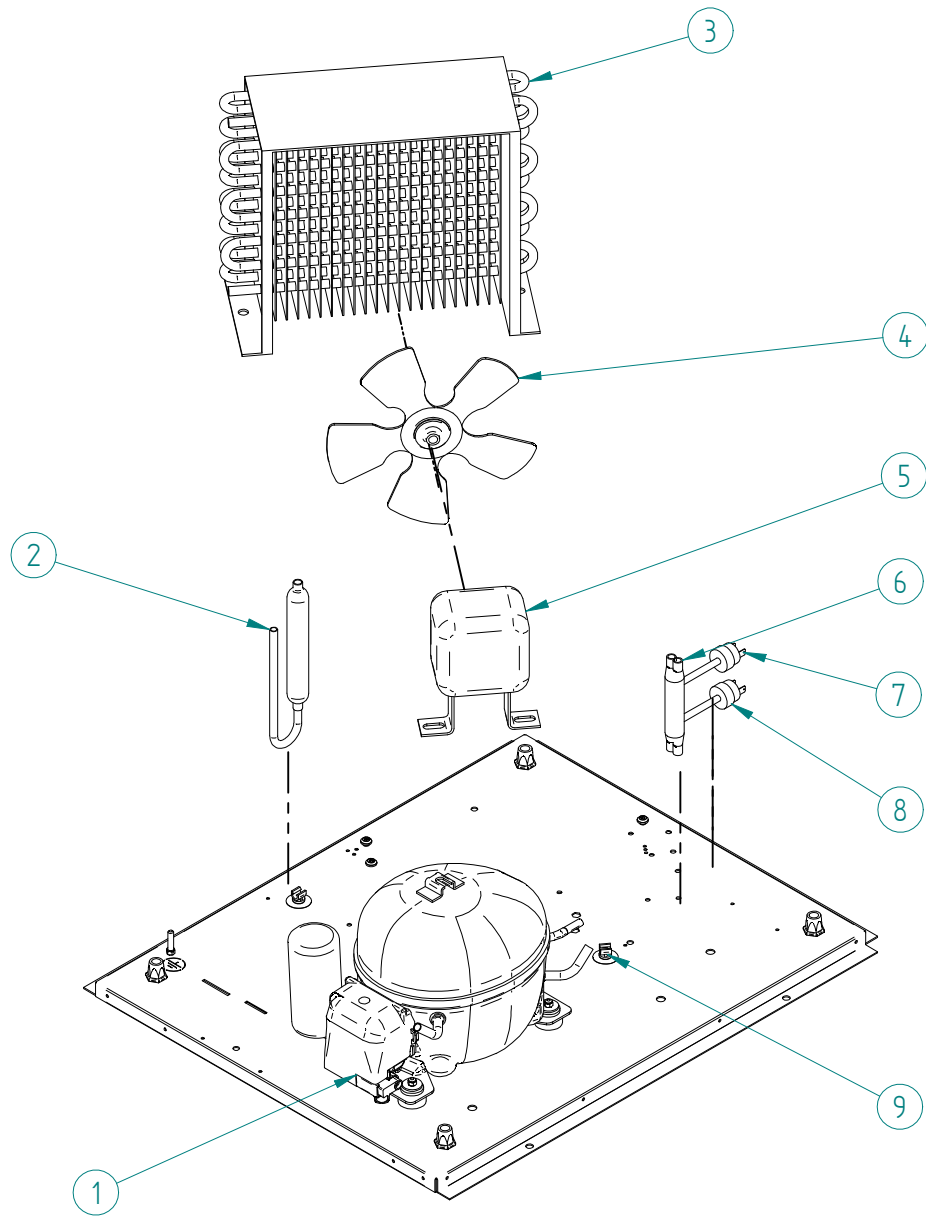
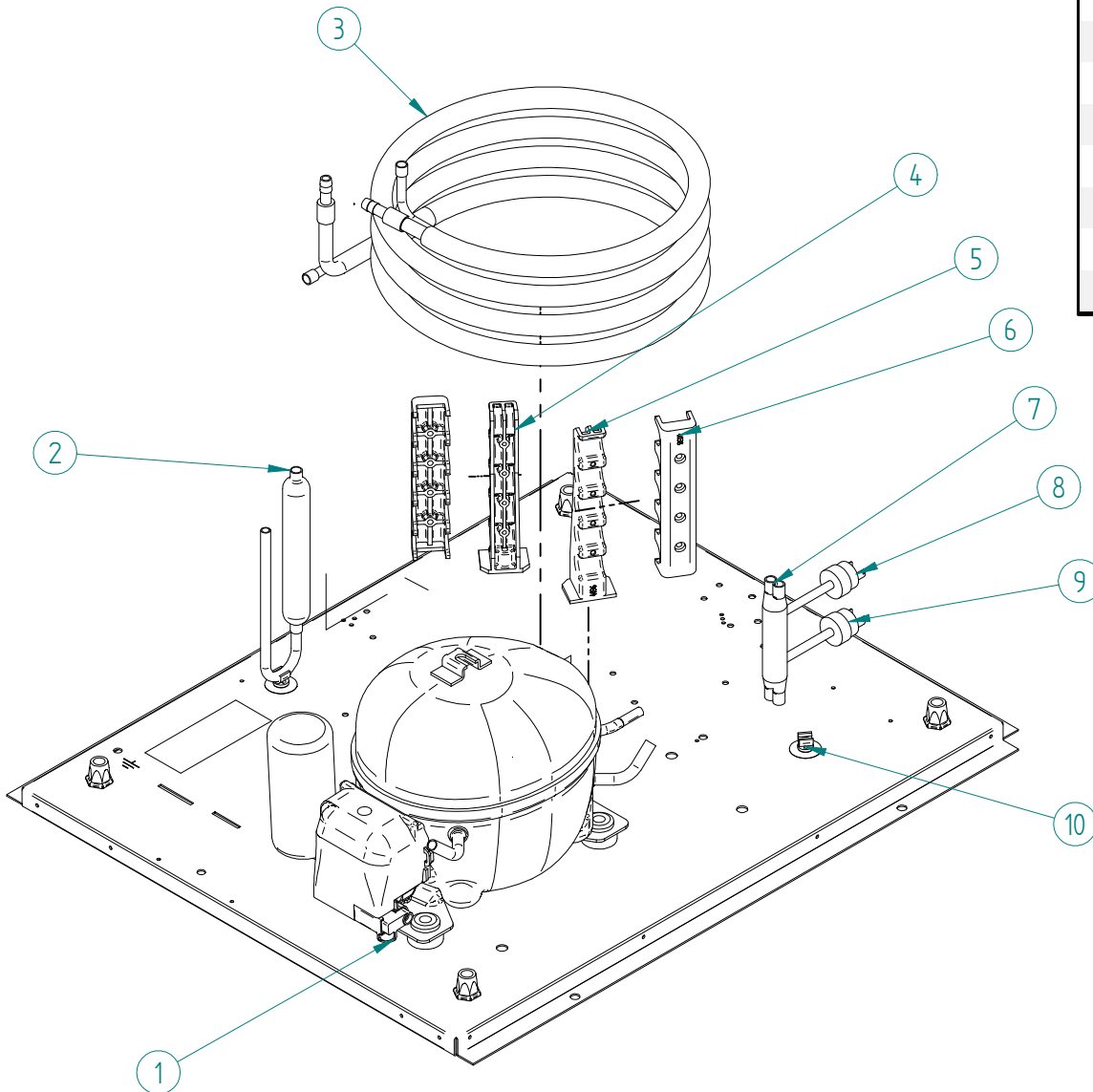




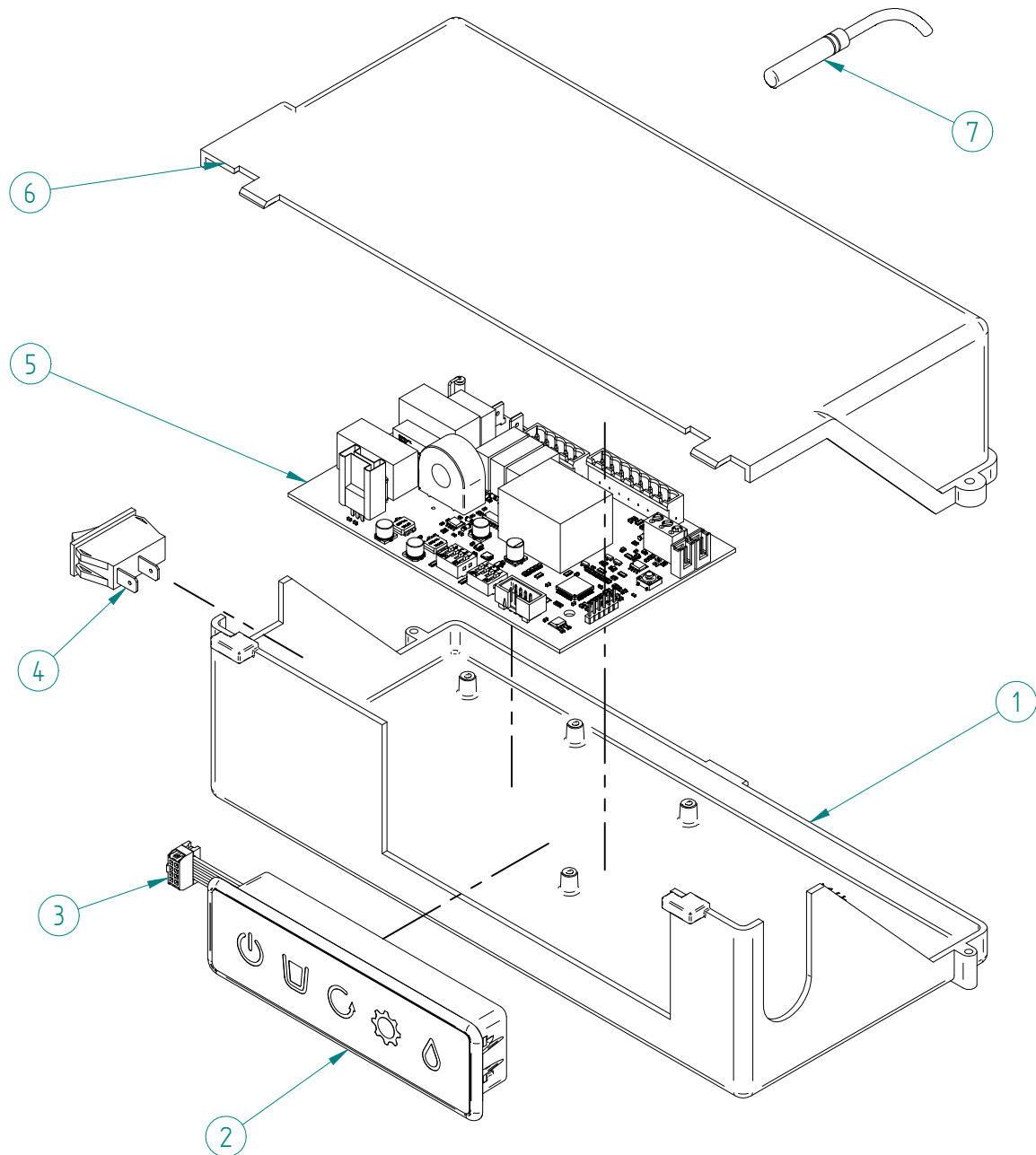
DESPIECE / REPUESTOS
EXPLODED VIEW / SPARE PARTS
EXPLOSIONSZEICHNUNG / ERSATZTEILE
VUE ÉCLATÉÉ / PIÈCES DÉTACHÉES
ESPLOSO / RICAMBI



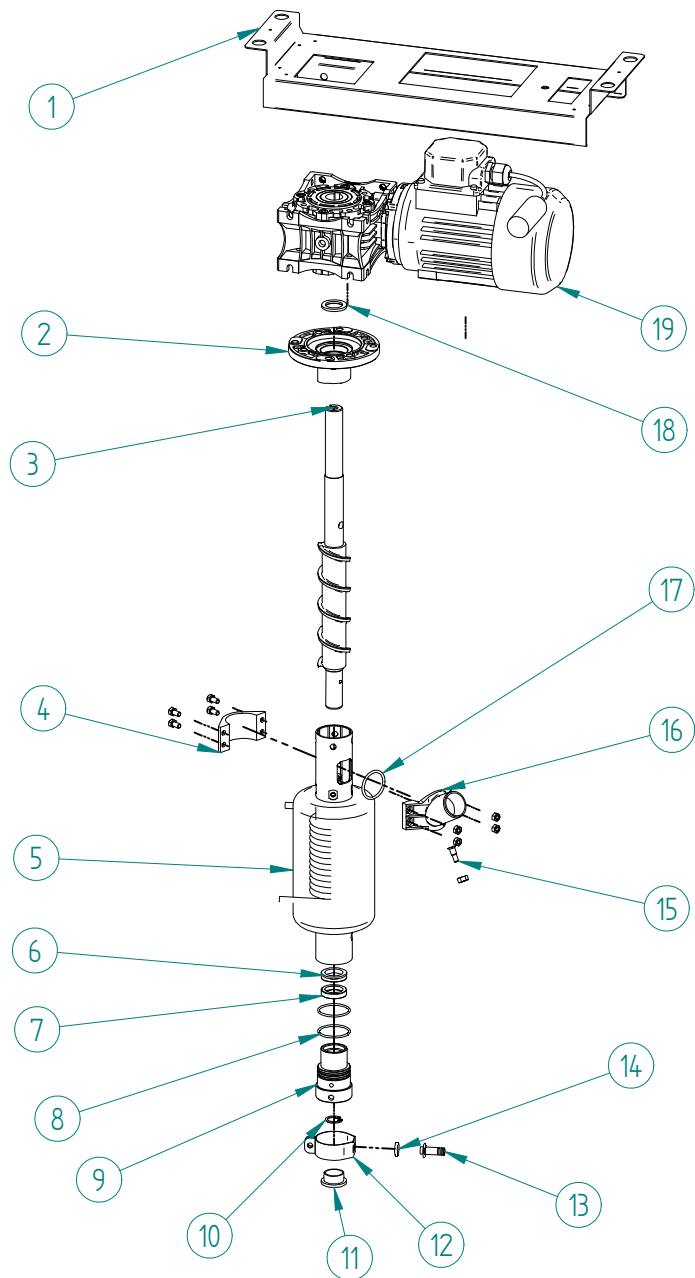
| ITEM | DESCRIPTION | 55 | 95 |
|------|-----------------------------|--------|-------|
| 1 | COMPRESSOR 220V/50HZ | 31300 | 31301 |
| 2 | FILTER DRIER | 7896 | |
| 3 | AIR CONDENSER | 491 | |
| 4 | FAN BLADE | 4040 | 4887 |
| 5 | FAN MOTOR 220V/50HZ | 2170A | 960 |
| 6 | PRESSURE SWITCH COLLECTOR | 31444 | |
| 7 | FAN CONTROL PRESSURE SWITCH | 31160E | |
| 8 | HIGH PRESSURE SWITCH | 31660E | |
| 9 | PLASTIC CLIP 1/4" | 3533 | |



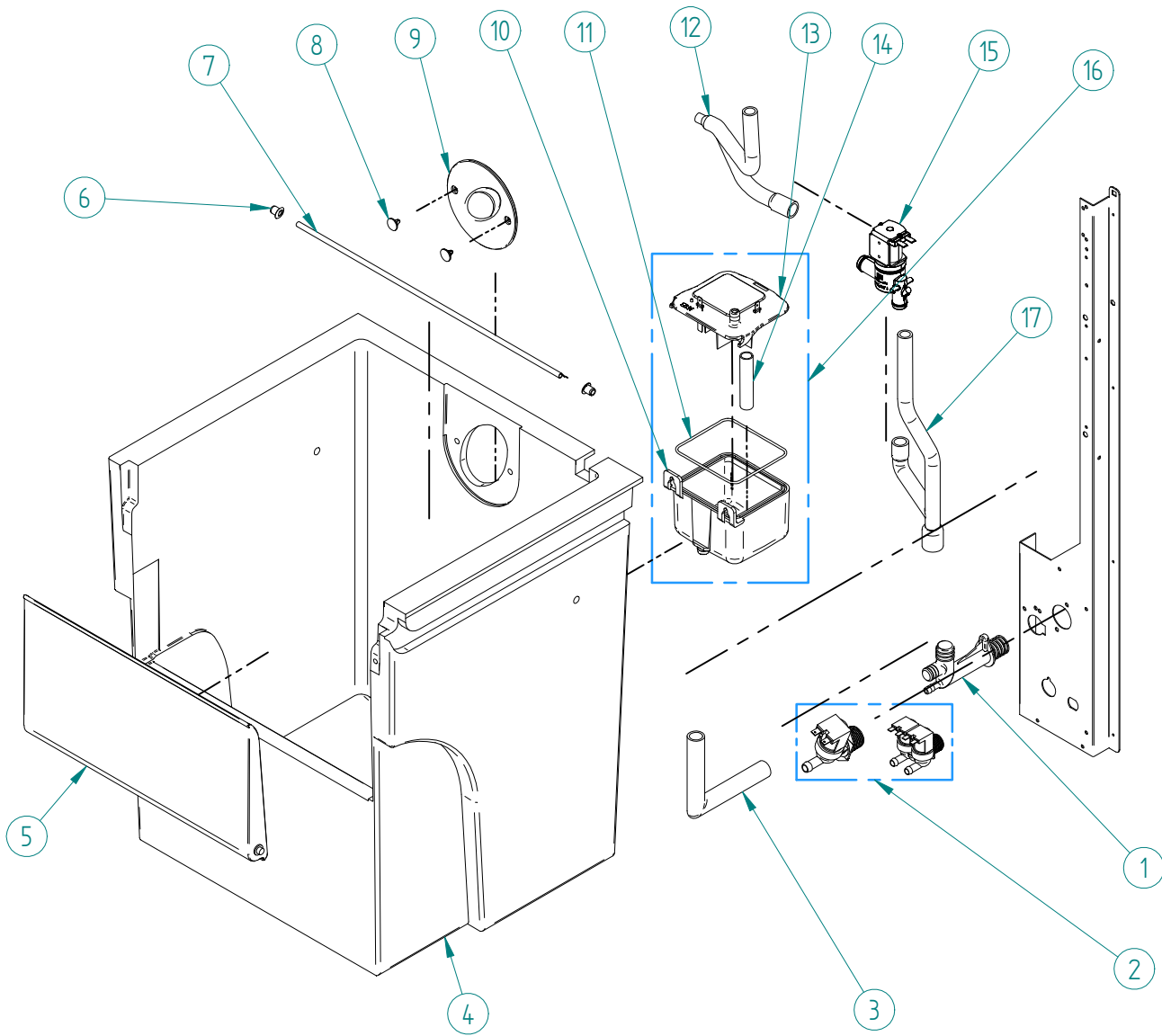
| ITEM | DESCRIPTION | 55 | 95 |
|------|----------------------------------|--------|-------|
| 1 | COMPRESSOR 220V/50HZ | 31300 | 31301 |
| 2 | FILTER DRIER | 7896 | |
| 3 | AIR CONDENSER | 5016 | 5017 |
| 4 | WATER CONDENSER LOWER SUPPORT | 4037 | |
| 5 | WATER CONDENSER UPPER SUPPORT | 4036 | |
| 6 | WATER CONDENSER EXTERNAL SUPPORT | 4038 | |
| 7 | PRESSURE SWITCH COLLECTOR | 31444 | |
| 8 | FAN CONTROL PRESSURE SWITCH | 31160E | |
| 9 | HIGH PRESSURE SWITCH | 31660E | |
| 10 | PLASTIC CLIP 1/4" | 3533 | |



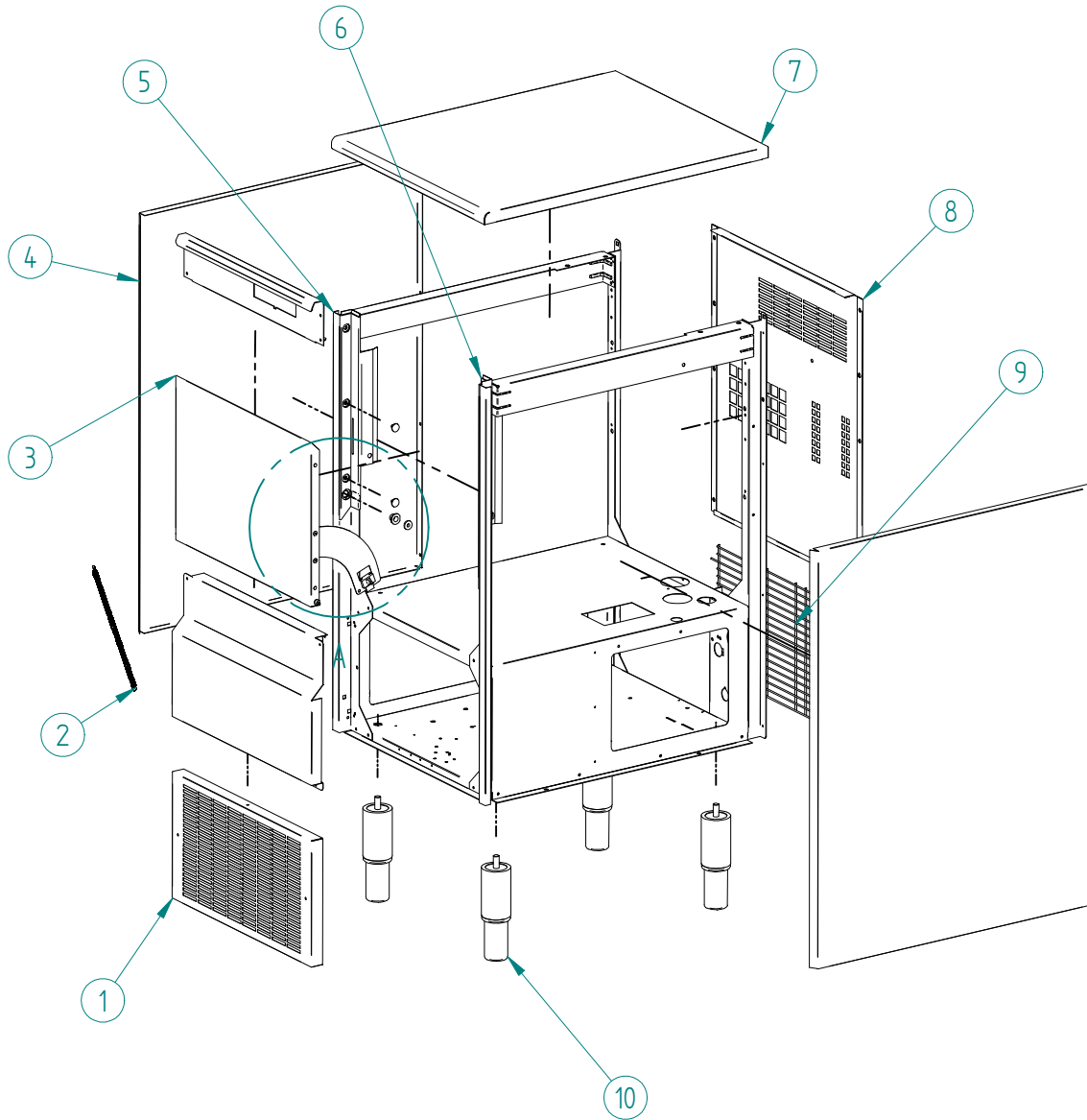
| ITEM | DESCRIPTION | 55-95 |
|------|--------------------|--------|
| 1 | ELECTRIC BOX | 4791 |
| 2 | LEDS PANEL | 30566B |
| 3 | WIRE PANEL | 34162 |
| 4 | ON/OFF SWITCH | 2300 |
| 5 | ELECTRONIC BOARD | 33799 |
| 6 | ELECTRIC BOX COVER | 4790 |
| 7 | ELECTRONIC PROBE | 30939A |



| ITEM | DESCRIPTION | 55-95 |
|------|------------------------------------|-------------------|
| 1 | GEAR MOTOR SUPPORT | 6044 |
| 2 | FLANGE/PLATE | 109 |
| 3 | AUGER | 115E |
| 4 | EVAPORATOR FLANGE | 1008 |
| 5 | EVAPORATOR | 7012C |
| 6 | V-RING | 80 |
| 7 | DOUBLE SEAL | 75 |
| 8 | O-RING BEARING | 86 |
| 9 | LOWER BEARING | 97B |
| 10 | INNER RING | 1390 |
| 11 | BEARING CAP | 92 |
| 12 | INLET WATER FLANGE | 211 |
| 13 | INLET WATER | 1005 |
| 14 | INLET WATER O-RING | 1006 |
| 15 | DRAINAGE | 785 |
| 16 | OUTLET ICE TUBE | 1007 |
| 17 | OUTLET ICE O-RING | 1391 |
| 18 | SPACER | 6072 |
| 19 | GEAR MOTOR | 220V/50HZ 6486 |
| 20 | EVAPORATOR ASSEMBLY (From 3 to 17) | 6037C |



| ITEM | DESCRIPTION | 55-95 |
|------|------------------------|--------------------------------------|
| 1 | DRAIN FITTING | 363 |
| 2 | INLET WATER VALVE | 220/50 A 220/50 W 1673 1674 |
| 3 | DRAIN TUBE | 33766 |
| 4 | BIN | 7380 |
| 5 | DOOR SUPPORT | 1123 |
| 6 | THERMOSTAT JOINT | 666 |
| 7 | THERMOSTAT TUBE | 5219 |
| 8 | CLIP | 113 |
| 9 | OUTLET ICE TUBE | 1053 |
| 10 | WATER BIN | 34122 |
| 11 | O-RING | 34150 |
| 12 | INLET EVAPORATOR TUBE | 34082 |
| 13 | COVER WITH ELECTRODES | 34123 |
| 14 | OVERFLOW TUBE | 2050 |
| 15 | DRAIN VALVE | 220/50 33550 |
| 16 | WATER BIN ASSEMBLY | 34552 |
| 17 | OUTLET EVAPORATOR TUBE | 34083 |



| ITEM | DESCRIPTION | 55-95 |
|------|------------------|-------|
| 1 | FRONT LOUVER | 4400 |
| 2 | DOOR SPRING | 702 |
| 3 | DOOR ASSEMBLY | 5030 |
| 4 | BOTH SIDE PANEL | 489UA |
| 5 | LEFT DOOR GUARD | 83 |
| 6 | RIGHT DOOR GUARD | 82 |
| 7 | TOP PANEL | 920A |
| 8 | REAR COVER | 635A |
| 9 | REAR GRILL | 1728 |
| 10 | LEG | 1478 |
| 11 | DOOR AXE BEARING | 1001 |
| 12 | DOOR AXE BUSHING | 155 |
| 13 | CLIP | 113 |
| 14 | DOOR BUMPER | 156 |
| 15 | DOOR SCREW | 392 |

