

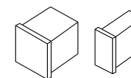
FD/HD DISPENSER



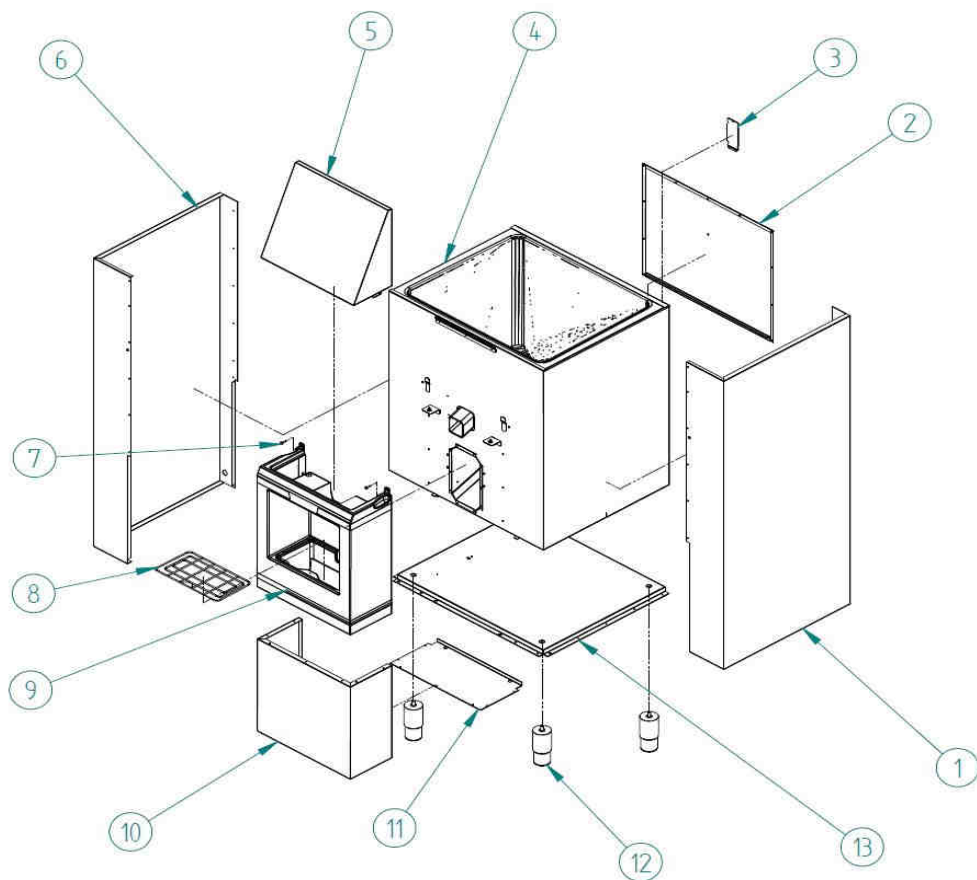
EUROICE

DESPIECE / REPUESTOS
EXPLODED VIEW / SPARE PARTS
EXPLOSIONSZEICHNUNG / ERSATZTEILE
VUE ÉCLATÉÉ / PIÈCES DÉTACHÉES
ESPLOSO / RICAMBI

CABINET

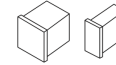


FD/HD DISPENSER

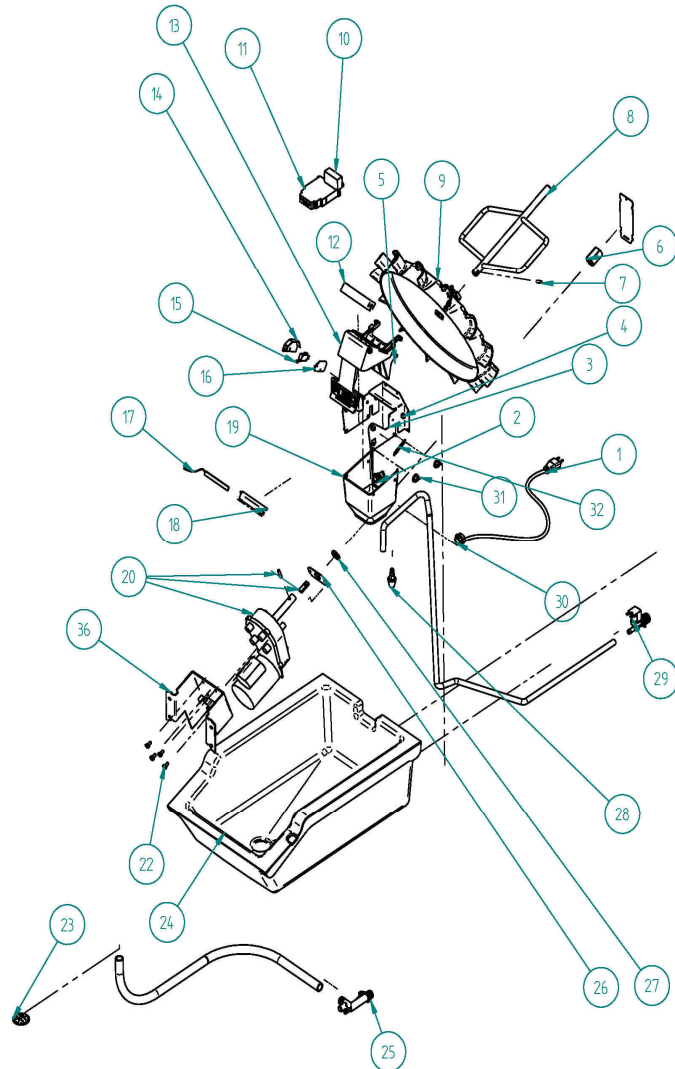


NAME		
1	RIGHT PANEL	6891
2	BACK PANEL	6890
3	TOP COVER	6323
4	INSULATED BIN	6869
5	TOP FRONT	7755
6	LEFT PANEL	6892
7	SCREW M5x20	7711
8	GRILL	6875
9	FRONT	6802
10	LOWER FRONT PANEL	6893
11	BASE	6903
12	INOX LEG	6749
13	BASE	7733

DISPENSER PARTS



FD/HD DISPENSER



NAME		
1	SCHUCKO PLUG	2771
		220V
		110V
2	PUSH-BUTTON	6148
3	MECHANISM SUPPORT	6870
4	BUSHING	171
5	COVER	6797
6	BUSHING	6868
7	SHAFT HASP	31644
8	SHAKER	6874A
9	WHEEL	31661
10	FEEDER LED	6897
11	TIMER	6882
12	TENSE	6895
13	ICE PUSH-BUTTON	6801
14	MICRO BOX	371
15	MICRO	387
16	PROTECTION (MICRO)	5212
17	LED	6896
18	LED SUPPORT	6999
19	ICE EXIT	6873
20	MOTOR	30560
		220V
		110V
22	SCREW	6878
23	DRAIN GIRLL	766
24	DRAIN BIN	6862
25	WATER DISTRIBUTOR	6206
26	SEAL COVER	6880
27	SEAL	6879
28	WATER EXIT	7715
29	WATER VALVE	7737
		220V
		110V
30	WIRING FIXING FLANGE	4907
31	NUT	7710
32	SPRING	6872
32	MOTOR BRACKET V2 3MM	30616