

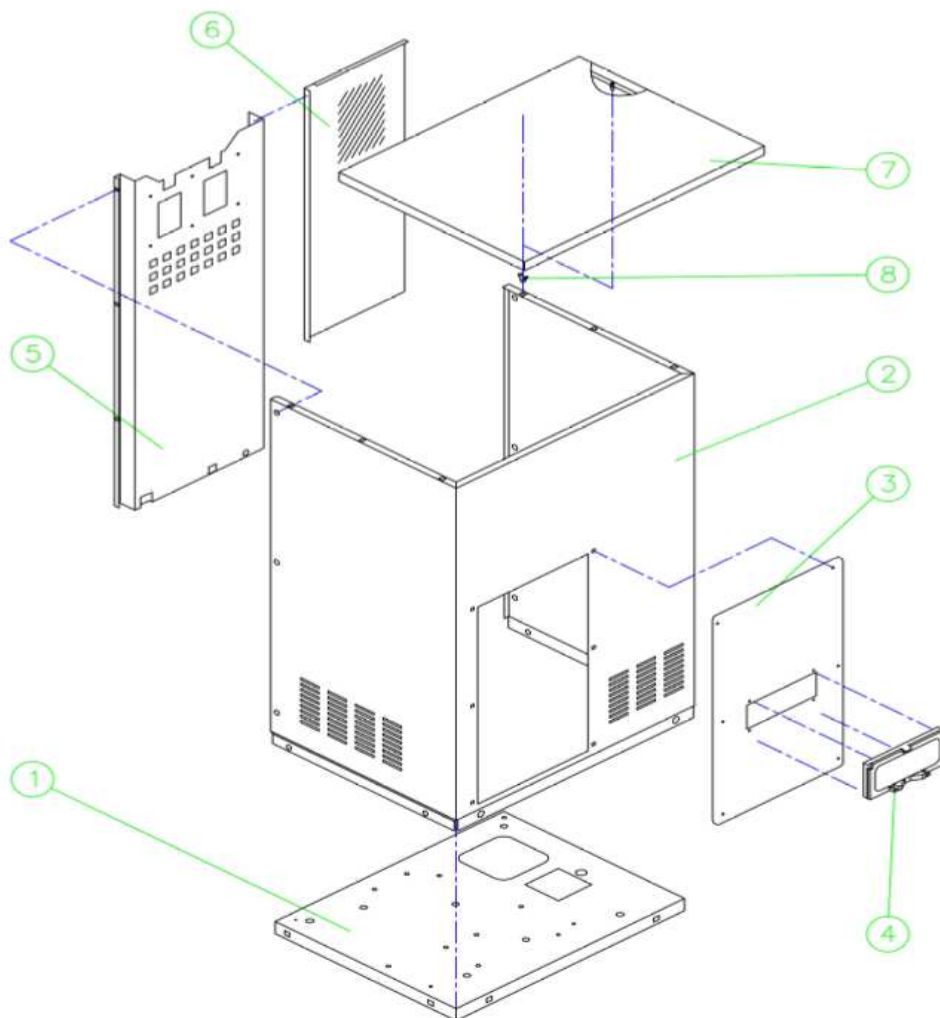


## GR560 SPLIT

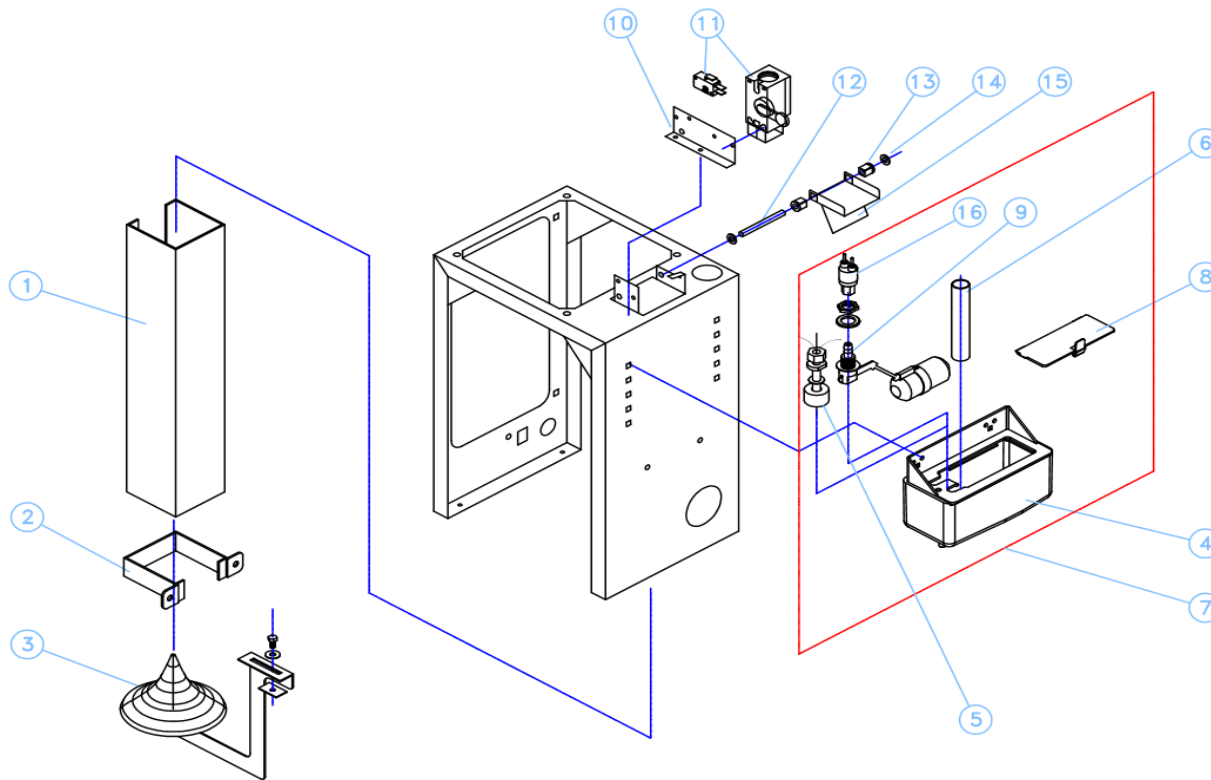
---



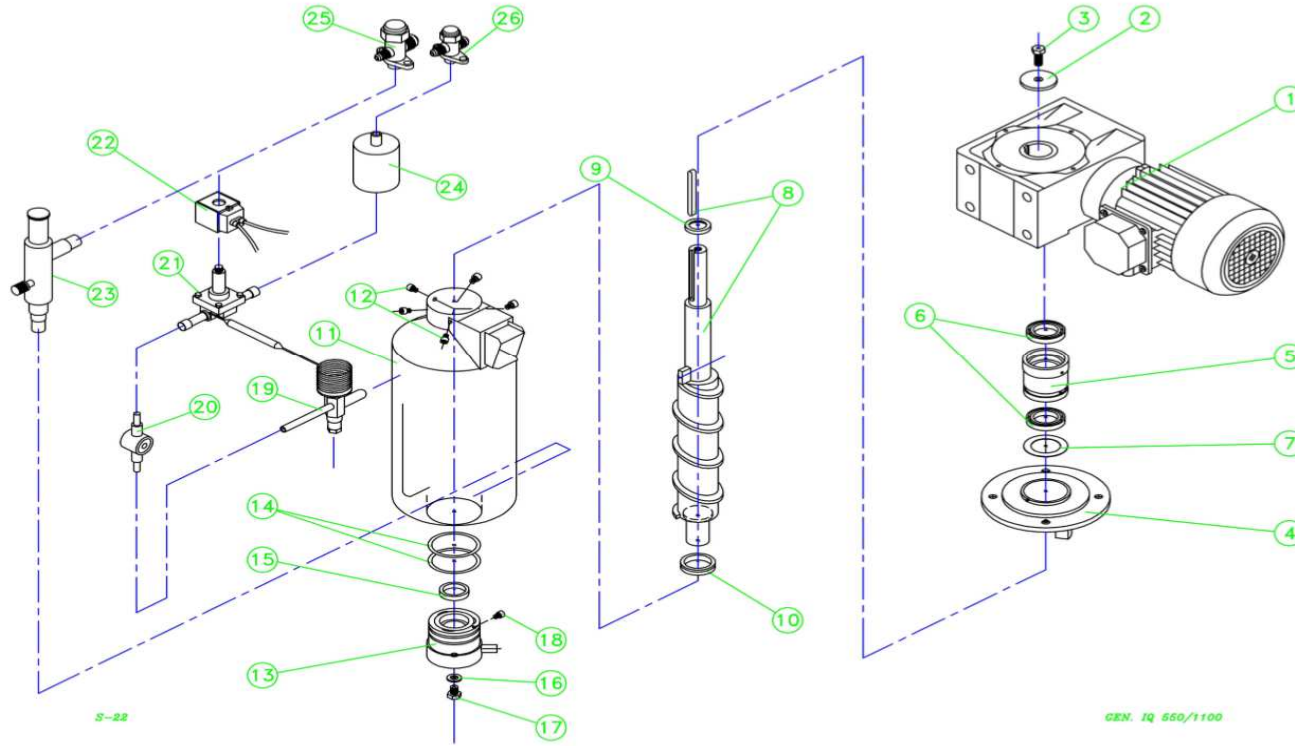
DESPIECE / REPUESTOS  
EXPLODED VIEW / SPARE PARTS  
EXPLOSIONSZEICHNUNG / ERSATZTEILE  
VUE ÉCLATÉE / PIÈCES DÉTACHÉES  
ESPLOSO / RICAMBI



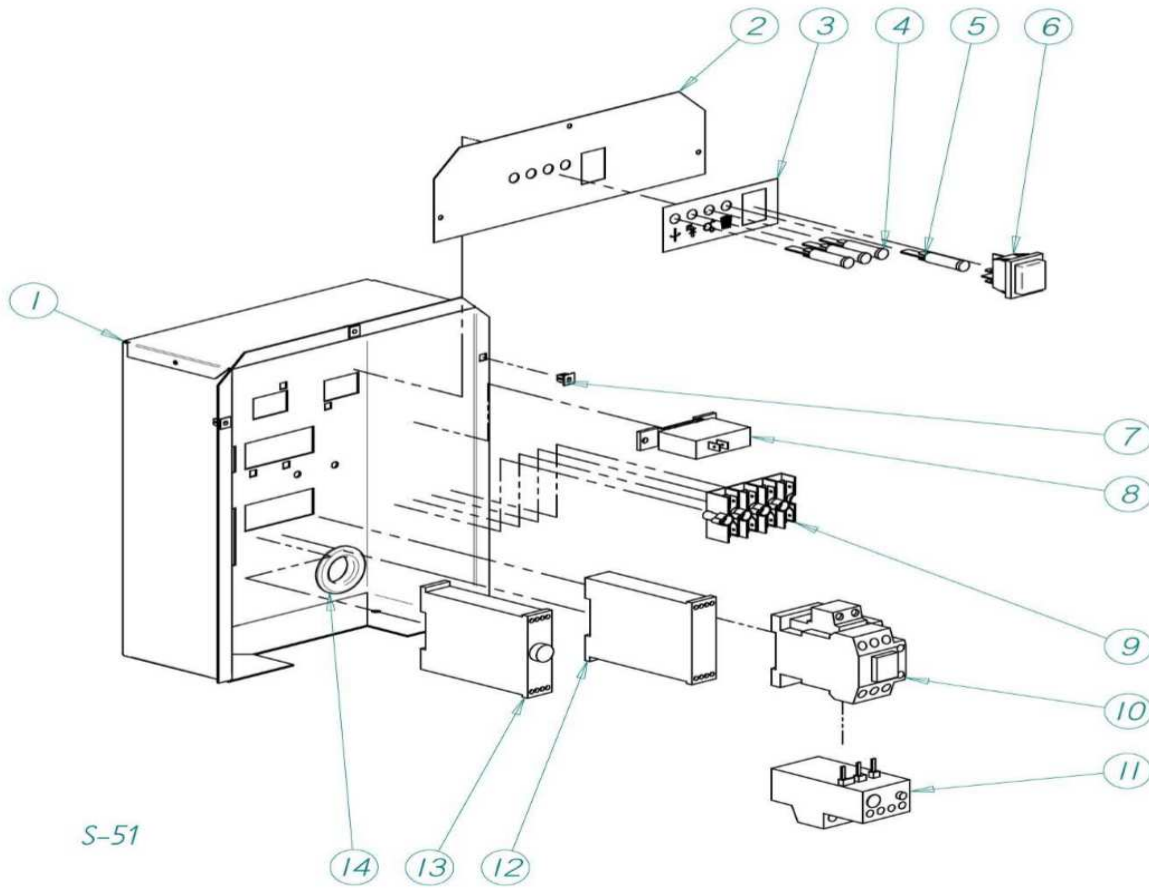
NAME		
1	BASE	3413
2	COVERING	3416
3	ELECTRICAL BOX COVER	2903
4	PLASTIC COVER	1479
5	CONNECTIONS SUPPORT	3415
6	REAR COVER	3417
7	TOP COVER	3419
8	CLIP	312



NAME		
1	ICE DELIVERY CHUTE	2444
2	FLANGE	2447
3	DISPERSION CONE	7228
4	WATER BIN	6036A
5	WATER LEVEL PROBE	5423
6	OVERFLOW TUBE	2505
7	COMPLETE WATER BIN	5231A
8	TOP PANEL BIN	1968
9	VERTICAL FLOAT VALVE	5340
10	STOP MICRO SUPPORT	2863
	STOP MICRO	2517
11	STOP MICRO (old units)	2562
12	SHAFT	2514
13	DOOR BUSHING	171
14	ARTICULATION JOINT	107
15	STOP BASCULE	2434
16	WATER LEVEL SWITCH	1120



		NAME	
	GEAR MOTOR		
		220V/50Hz	31083
		380V/50-60Hz	30363
		3 PHASE (before 17971560) 380V/50-60Hz	31249
		230V/60Hz	1031
2	4X13X5 WASHER		1850
3	12X30 SCREW		719
4	MOTOR SUPPORT		30874
	MOTOR SUPPORT (before 17971560)		5366
5	UP BEARING		NO SE USA
6	SEAL		NO SE USA
7	55X67 WASHER (before 17971560)		2662
8	AUGER		894
9	WASHER (before 17971560)		1820
10	V-RING		2335
11	EVAPORATOR		7636
12	SCREW		2871
13	BOTTOM BEARING		162
14	O-RING		2484
15	SEAL		726
16	WASHER		2510
17	8X10 SCREW		2449
18	5X6 G65 SCREW		2595
19	EXPANSION VALVE		1035
20	SIGHT		336
21	SOLENOID VALVE		843
22	COIL		5173
23	KVP SUCTION VALVE		3411
24	FILTER		2560
25	1/2" VALVE		3398
26	3/8" VALVE		3397
*	COMPLETE EVAPORATOR KIT		7177



DENOMINACION	
1	ELECTRIC BOX 3422
2	PILTO SUPPORT 3423
3	CASE 6662
4	RED LIGHT 1457
5	ORANGE LIGHT 1458
6	MAIN SWITCH 2287
7	NUT 2347
8	TIMER 2471
9	CONNECTION POINT 5177
10	CONTACTOR 536A
11	BREAKER 47135
12	PHASE SEQUENCE RELAY 3210
13	SOLENOID TIMER 3424
14	CABLE OPENING 2520

S-51