



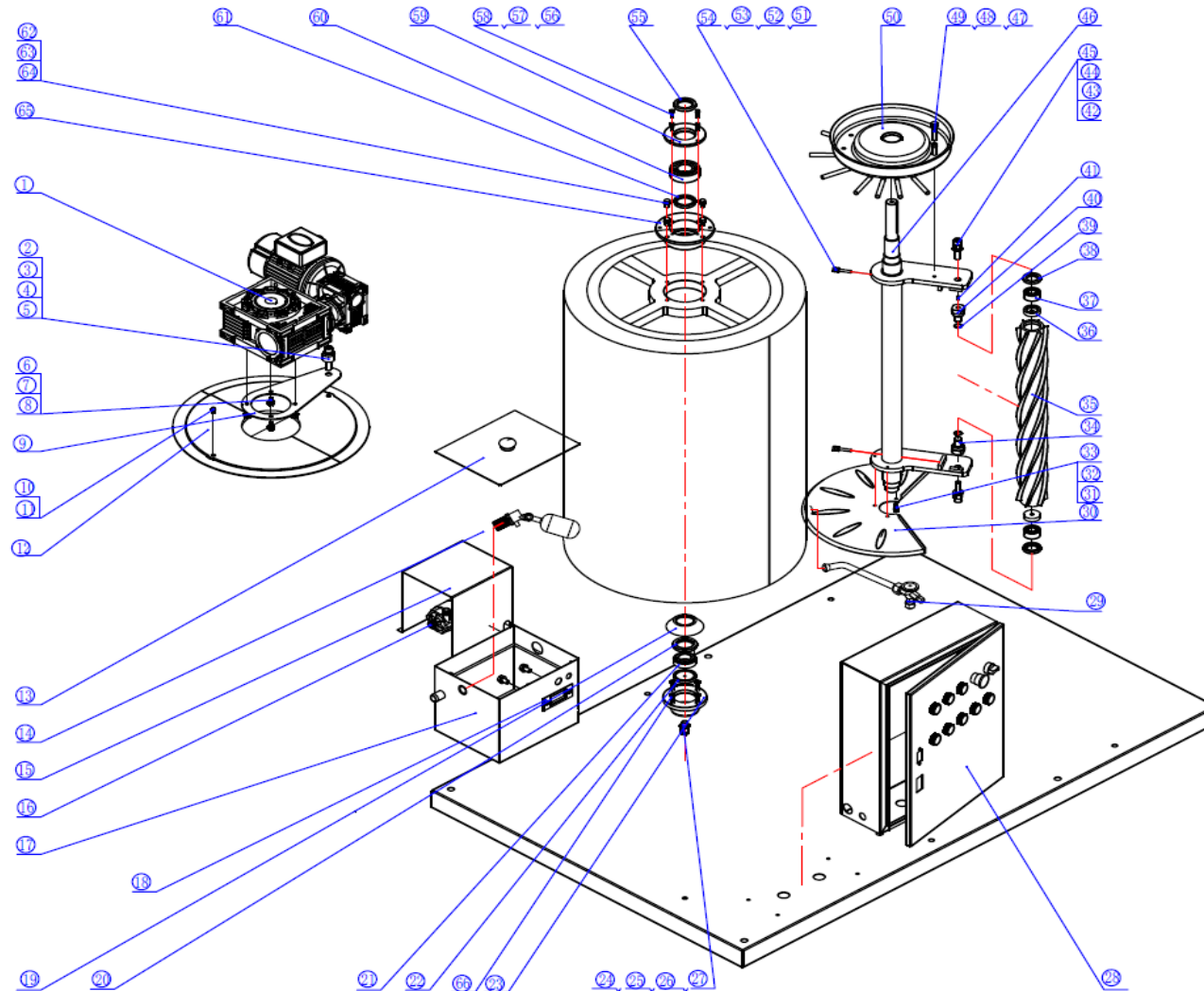
**SC**

---

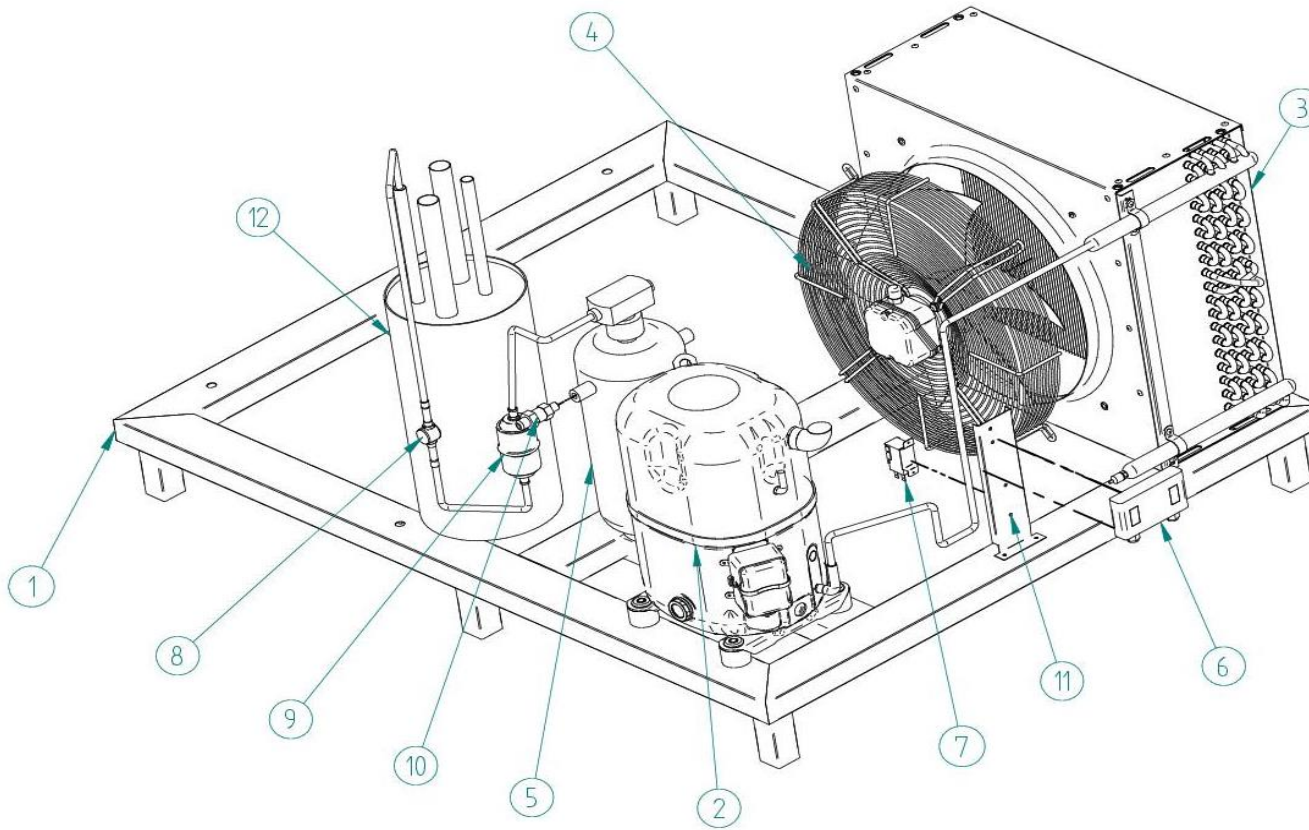


**EUROICE**

DESPIECE / REPUESTOS  
EXPLODED VIEW / SPARE PARTS  
EXPLOSIONSZEICHNUNG / ERSATZTEILE  
VUE ÉCLATÉE / PIÈCES DÉTACHÉES  
ESPLOSO / RICAMBI



DESCRIPTION		
1	GEAR MOTOR 0,18 kW	49124
	MOTOR 0,18 kW	49136
2	WASHER GEAR MOTOR SUPPORT	
3	GROVER WASHER	48687
4	WASHER	48686
5	SCREW M10 X 20	48685
6	GROVER WASHER	31414
7	SCREW M8 X 16	31415
8	WASHER	31416
9	GEAR MOTOR SUPPORT	31930
10	WASHER	
11	SCREW M12 x 50	
12	EVAPORATOR COVER	31595
13	WATER TANK COVER	35451
14	FLOAT	82804
15	WATER PUMP COVER	
16	WATER PUMP 1000-2000	49106
	WATER PUMP 3000	49107
17	WATER TANK	35450
18	WATER TANK GASKET	31891
19	WATER GASKET	31892
20	OIL SEAL BOTTOM BEARING	31663
21	BOTTOM BEARING 32005 (SFK)	49118
22	BOTTOM BEARING WASHER	30967
23	PULLING PAD BOTTOM BEARING	30966
24	GROVER WASHER	
25	WASHER	
26	NUT	
27	SCREW M12 X 45	
28	ELECTRIC BOX	8320
29	EXPANSION VALVE	
30	WATER CATCHING TRAY	49126
31	GROVER WASHER	
32	WASHER	
33	SCREW M6 X 25	
34	AUGER BOTTOM BEARING SUPPORT	49152
	AUGER	
		SC 1000 49110
35		SC 2000 49112
		SC 3000 49113
36	BEARING PAD	31890
37	AUGER BEARING 3201-2RS (SFK)	49108
38	OIL SEAL TC18*35*7	1510
39	CIRCLIP	1867
40	AUGER UPPER BEARING SUPPORT	49151
41	BEARING PAD	31890
42	GROVER WASHER	48687
43	NUT	31621
44	WASHER	48686
45	SCREW M12 X 45	48685
46	MAIN AUGER SUPPORT AXLE	49151
47	GROVER WASHER	
48	WASHER	
49	SCREW M8 X 45	
50	WATER TRAY	49131
51	GROVER WASHER	
52	WASHER	
53	NUT	
54	SCREW M6 X 40	
55	UPPER BEARING OIL SEAL TC30*50*7	
56	GROVER WASHER	30973
57	WASHER	30972
58	SCREW M5 X 20	30971
59	UPPER BEARING PAD	30969
60	UPPER BEARING 22206 (SFK)	49115
61	UPPER BEARING OIL RING TC38*55*8	31662
62	GROVER WASHER	
63	WASHER	
64	SCREW M6 X 30	
65	UPPER BEARING BOX	30968
66	SCREW M6 X 16	

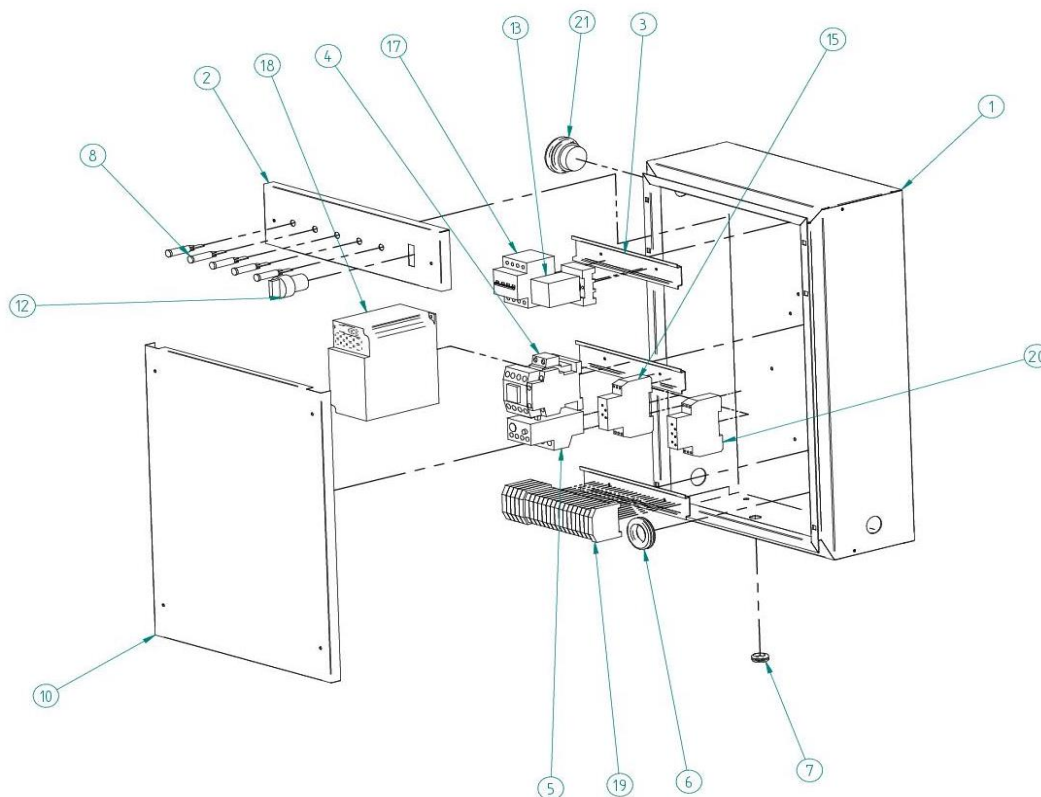


DESCRIPCION		
1	BENCH	6405
2	COMPRESSOR 380V/III/50-60HZ	7842
3	CONDENSER	7894
4	FAN MOTOR	8406
5	LIQUID RECEIVER	3072
6	HIGH/LOW PRESSURE SWITCH	2289
7	CONDENSATION PRESSURE SWITCH	2507
8	LIQUID SIGHT	942
9	DRIER	3064
10	SECURITY VALVE 1/4x3/8	3073
11	HIGH/LOW PRESSURE SWITCH SUPPORT	3242
12	LIQUID SEPARATOR	4052

# COMPACT SC 400-600-1T ELECTRIC BOX WITH FREQUENCY VARIATOR



SC

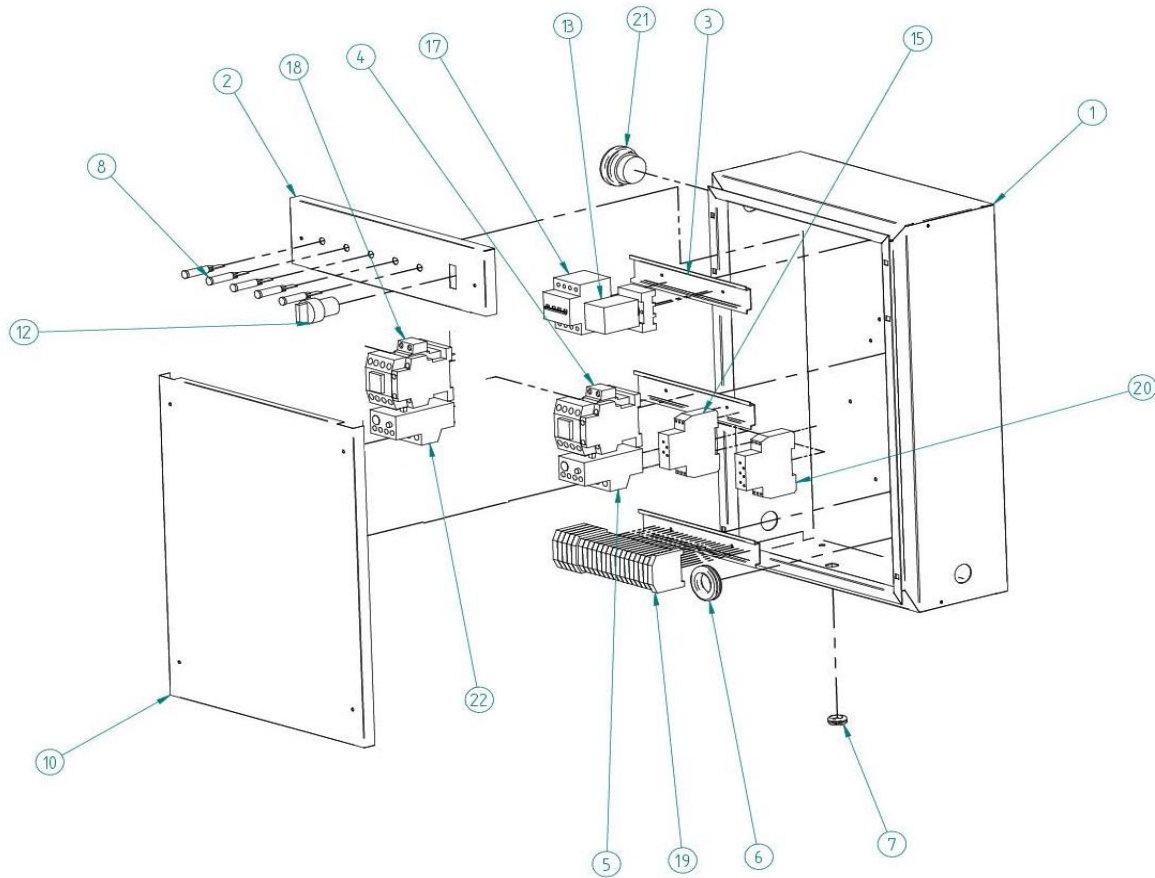


DESCRIPTION		
1	ELECTRIC BOX	6174
2	ELECTRIC BOX UPPER COVER	6175
3	DIN RAIL	8356
4	CONTACTOR MC-9A 220V	536A
5	AUXILIAR CONTACT	66793
6	THERMAL RELAY MT-12 COMPRESSOR	47135
7	WIRE HOLE GASKET	2520
8	WIRE HOLE	373
9	RED LIGHT 220V	1457
10	ORANGE LIGHT 220V	1458
11	ELECTRIC BOX BOTTOM COVER	6176
12	TWO POSITIONS SWITCH	30078
13	RELAY MK 2P 220V	390
14	RELAY BASE	391
15	START TIMER	3424
16	GREEN LIGHT 220V	4280
17	BREAKER 4P C16	47397
18	FREQUENCY VARIATOR (GEAR MOTOR)	7918
19	CONNECTOR	8241+8244
20	STOP TIMER	6155
21	EMERGENCY SWITCH	47486
*	PHOTOCELL	30991

# COMPACT SC 400-600-1T ELECTRIC BOX



SC



DESCRIPTION		
1	ELECTRIC BOX	6174
2	ELECTRIC BOX UPPER COVER	6175
3	DIN RAIL	8356
4	CONTACTOR MC-9A 220V	536A
	AUXILIAR CONTACT	6793
5	THERMAL RELAY MT-12 COMPRESSOR	47509
6	WIRE HOLE GASKET	2520
7	WIRE HOLE	373
8	RED LIGHT 220V	1457
9	ORANGE LIGHT 220V	1458
10	ELECTRIC BOX BOTTOM COVER	6176
12	TWO POSITIONS SWITCH	30078
13	RELAY MK 2P 220V	390
14	RELAY BASE	391
15	START TIMER	3424
16	GREEN LIGHT 220V	4280
17	BREAKER 4P C16	47397
18	THERMAL RELAY MT-12 GEAR MOTOR	47135
19	CONNECTOR	8241+8244
20	STOP TIMER	6155
21	EMERGENCY SWITCH	47486
22	CONTACTOR MC-9A 220V	536A
*	PHASE SEQUENCE RELAY	3210
*	PHOTOCELL	30991