

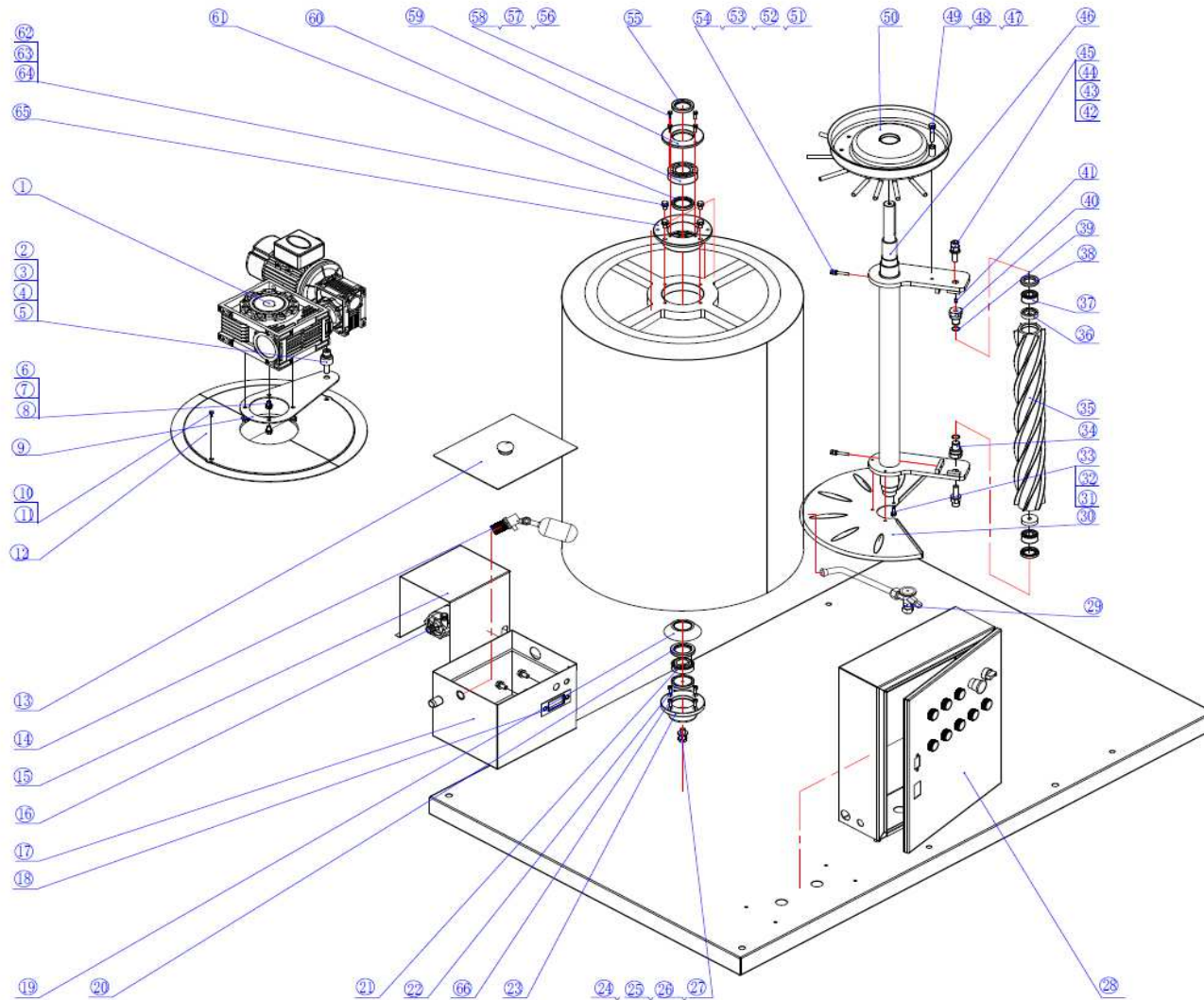


SC

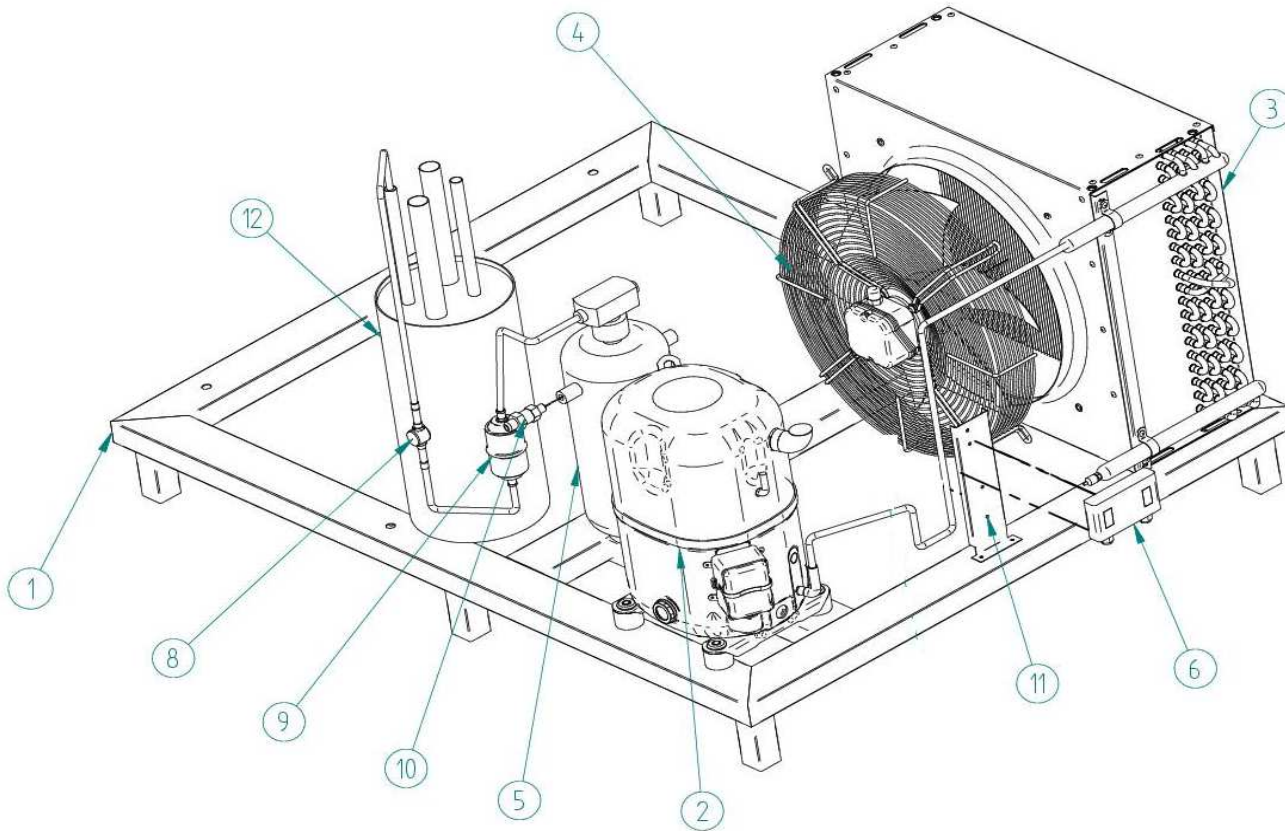


EUROICE

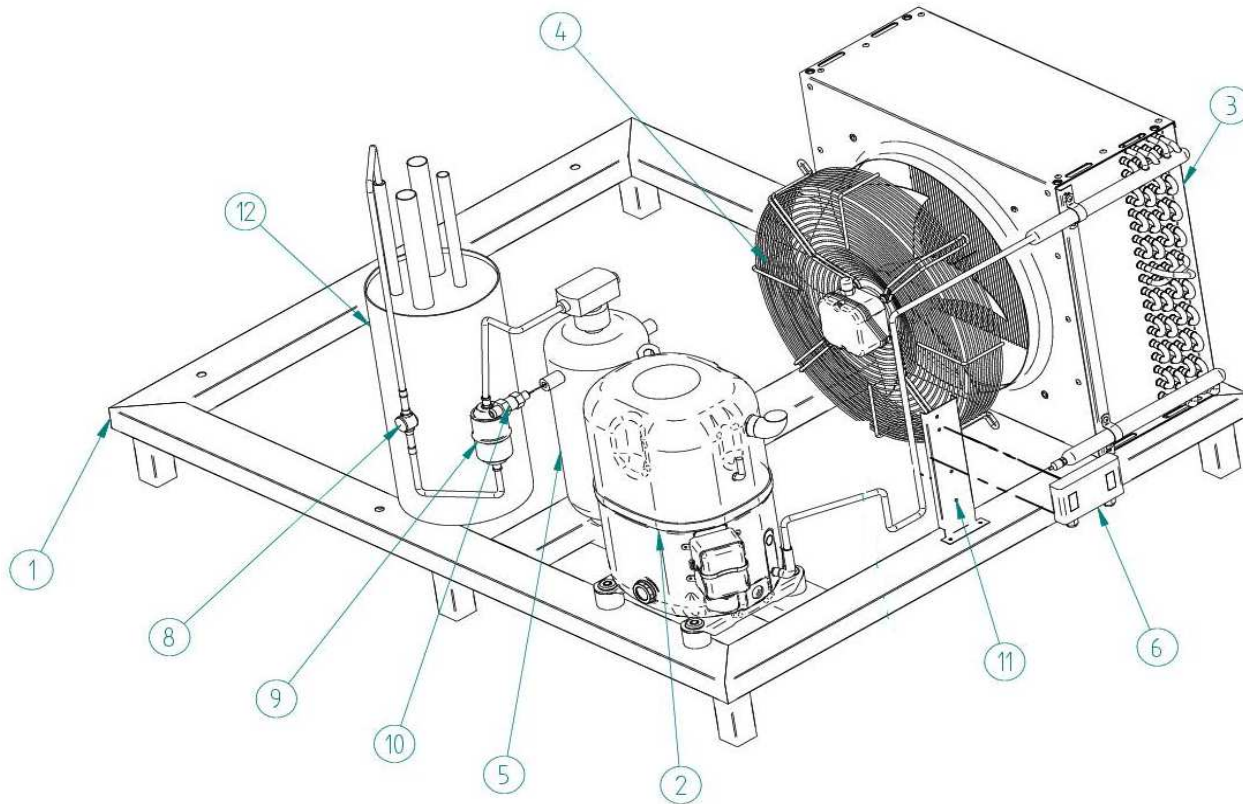
**DESPIECE / REPUESTOS
EXPLODED VIEW / SPARE PARTS
EXPLOSIONSZEICHNUNG / ERSATZTEILE
VUE ÉCLATÉÉ / PIÈCES DÉTACHÉES
ESPLOSO / RICAMBI**



	DESCRIPTION	
1	GEAR MOTOR 0,12 kW	49120
2	MOTOR 0,12 kW	8408
3	WASHER GEAR MOTOR SUPPORT	31991
4	GROVER WASHER	31990
5	WASHER	31989
6	SCREW M10 X 20	31988
7	GROVER WASHER	
8	SCREW M8 X 16	
9	WASHER	
10	GEAR MOTOR SUPPORT	31615
11	WASHER	
12	SCREW M12 X 50	
13	EVAPORATOR COVER	31956
14	WATER TANK COVER	
15	FLOAT	82804
16	WATER PUMP COVER	
17	WATER PUMP	49106
18	WATER TANK	
19	WATER TANK GASKET	
20	WATER GASKET	31742
21	OIL SEAL BOTTOM BEARING	31605
22	BOTTOM BEARING 32005 (SFK)	49117
23	BOTTOM BEARING WASHER	31616
24	PULLING PAD BOTTOM BEARING	31618
25	GROVER WASHER	31619
26	WASHER	31620
27	NUT	31621
28	SCREW M12 X 45	31622
29	ELECTRIC BOX	8320
30	EXPANSION VALVE	
31	WATER CATCHING TRAY	49128
32	GROVER WASHER	
33	WASHER	
34	SCREW M6 X 25	
35	AUGER BOTTOM BEARING SUPPORT	31623
36	AUGER	49109
37	BEARING PAD	31624
38	AUGER BEARING 3201-2RS (SFX)	31625
39	OIL SEAL TC18*35*7	31627
40	CIRCLIP	31628
41	AUGER UPPER BEARING SUPPORT	31629
42	BEARING PAD	31630
43	GROVER WASHER	31631
44	NUT	31632
45	WASHER	
46	SCREW M12 X 45	31633
47	MAIN AUGER SUPPORT AXLE	31634
48	GROVER WASHER	
49	WASHER	
50	SCREW M8 X 45	
51	WATER TRAY	49129
52	GROVER WASHER	
53	WASHER	
54	NUT	
55	SCREW M6 X 40	
56	UPPER BEARING OIL SEAL TC30*50*7	31605
57	GROVER WASHER	31606
58	WASHER	31607
59	SCREW M5 X 20	31608
60	UPPER BEARING PAD	31609
61	UPPER BEARING 22206 (SFK)	49114
62	UPPER BEARING OIL RING TC38*55*8	31610
63	GROVER WASHER	31611
64	WASHER	31612
65	SCREW M6 X 30	31613
66	UPPER BEARING BOX	31614
	SCREW M6 X 16	392



DESCRIPTION		
1	BENCH	6806
2	COMPRESSOR 380V/III/50-60HZ	8174
3	CONDENSER	8181
4	FAN MOTOR	2446
	FAN BLADE	6557
	FAN SUPPORT	6501
5	LIQUID RECEIVER	8040
6	HIGH/LOW PRESSURE SWITCH	2289
8	LIQUID SIGHT	942
9	DRIER	3064
10	SECURITY VALVE 1/4x3/8	3073
11	HIGH/LOW PRESSURE SWITCH SUPPORT	3242
12	LIQUID SEPARATOR	7820

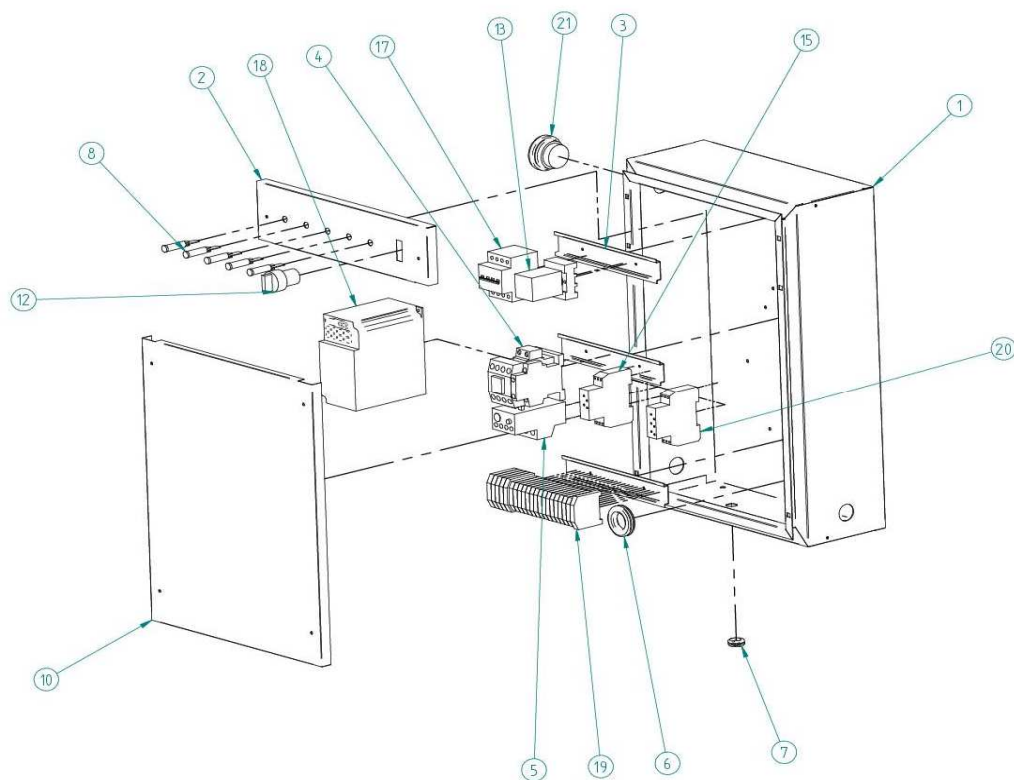


DESCRIPTION		
1	BENCH	7832
2	COMPRESSOR 380V/III/50-60HZ	7840
3	CONDENSER	2732
4	FAN MOTOR	3332
5	LIQUID RECEIVER	8040
6	HIGH/LOW PRESSURE SWITCH	2289
8	LIQUID SIGHT	942
9	DRIER	3064
10	SECURITY VALVE 1/4x3/8	3073
11	HIGH/LOW PRESSURE SWITCH SUPPORT	3242
12	LIQUID SEPARATOR	7820

COMPACT SC 400-600-1T ELECTRIC BOX WITH FREQUENCY VARIATOR



SC

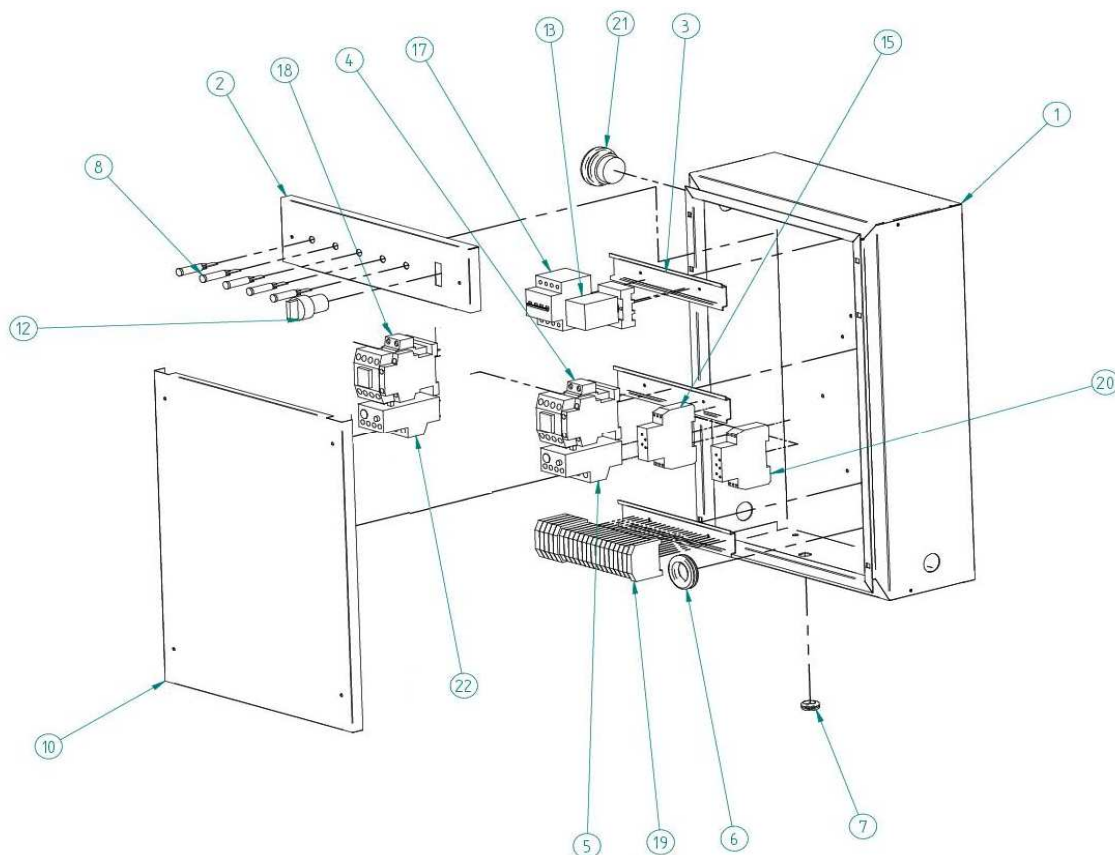


	DESCRIPTION	
1	ELECTRIC BOX	6174
2	ELECTRIC BOX UPPER COVER	6175
3	DIN RAIL	8356
4	CONTACTOR MC-9A 220V	536A
	AUXILIAR CONTACT	66793
5	THERMAL RELAY MT-12 COMPRESSOR	47135
6	WIRE HOLE GASKET	2520
7	WIRE HOLE	373
8	RED LIGHT 220V	1457
9	ORANGE LIGHT 220V	1458
10	ELECTRIC BOX BOTTOM COVER	6176
12	TWO POSITIONS SWITCH	30078
13	RELAY MK 2P 220V	390
14	RELAY BASE	391
15	START TIMER	3424
16	GREEN LIGHT 220V	4280
17	BREAKER 4P C16	47397
18	FREQUENCY VARIATOR (GEAR MOTOR)	7918
19	CONNECTOR	8241+8244
20	STOP TIMER	6155
21	EMERGENCY SWITCH	47486
*	PHOTOCELL	30991

COMPACT SC 400-600-1T ELECTRIC BOX



SC



	DESCRIPTION	
1	ELECTRIC BOX	6174
2	ELECTRIC BOX UPPER COVER	6175
3	DIN RAIL	8356
4	CONTACTOR MC-9A 220V	536A
	AUXILIAR CONTACT	6793
5	THERMAL RELAY MT-12 COMPRESSOR	47509
6	WIRE HOLE GASKET	2520
7	WIRE HOLE	373
8	RED LIGHT 220V	1457
9	ORANGE LIGHT 220V	1458
10	ELECTRIC BOX BOTTOM COVER	6176
12	TWO POSITIONS SWITCH	30078
13	RELAY MK 2P 220V	390
14	RELAY BASE	391
15	START TIMER	3424
16	GREEN LIGHT 220V	4280
17	BREAKER 4P C16	47397
18	THERMAL RELAY MT-12 GEAR MOTOR	47135
19	CONNECTOR	8241+8244
20	STOP TIMER	6155
21	EMERGENCY SWITCH	47486
22	CONTACTOR MC-9A 220V	536A
*	PHASE SEQUENCE RELAY	3210
*	PHOTOCELL	30991