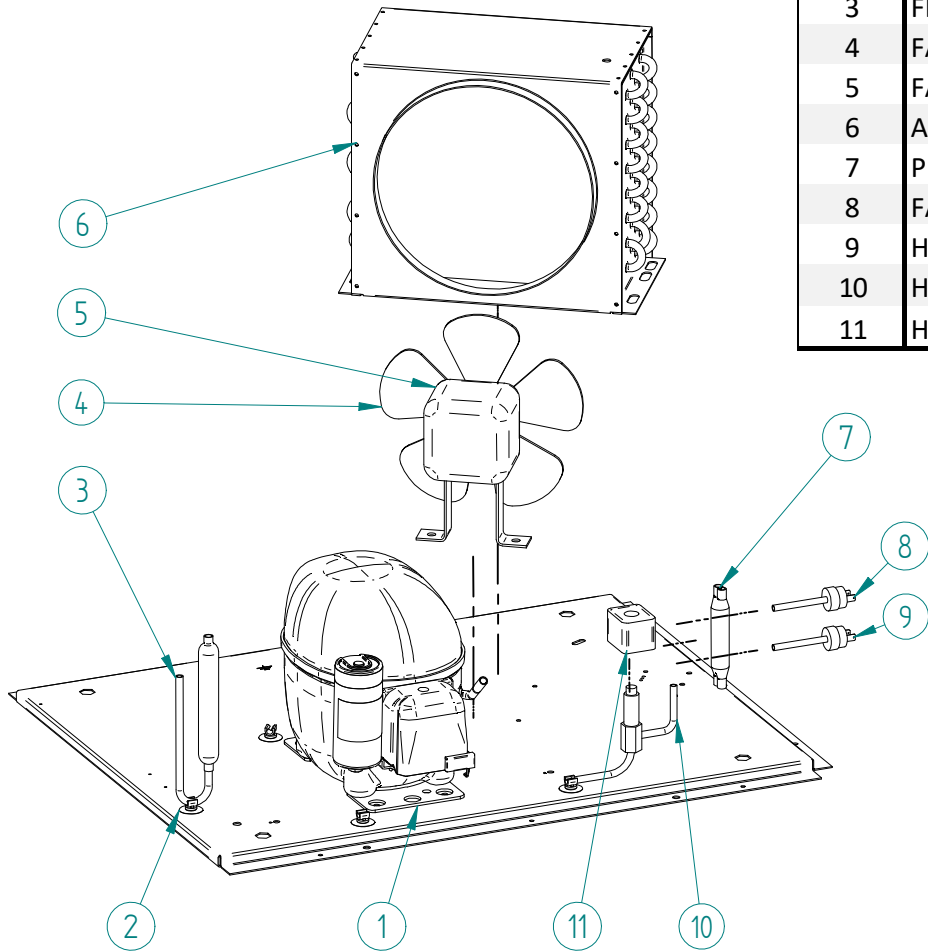


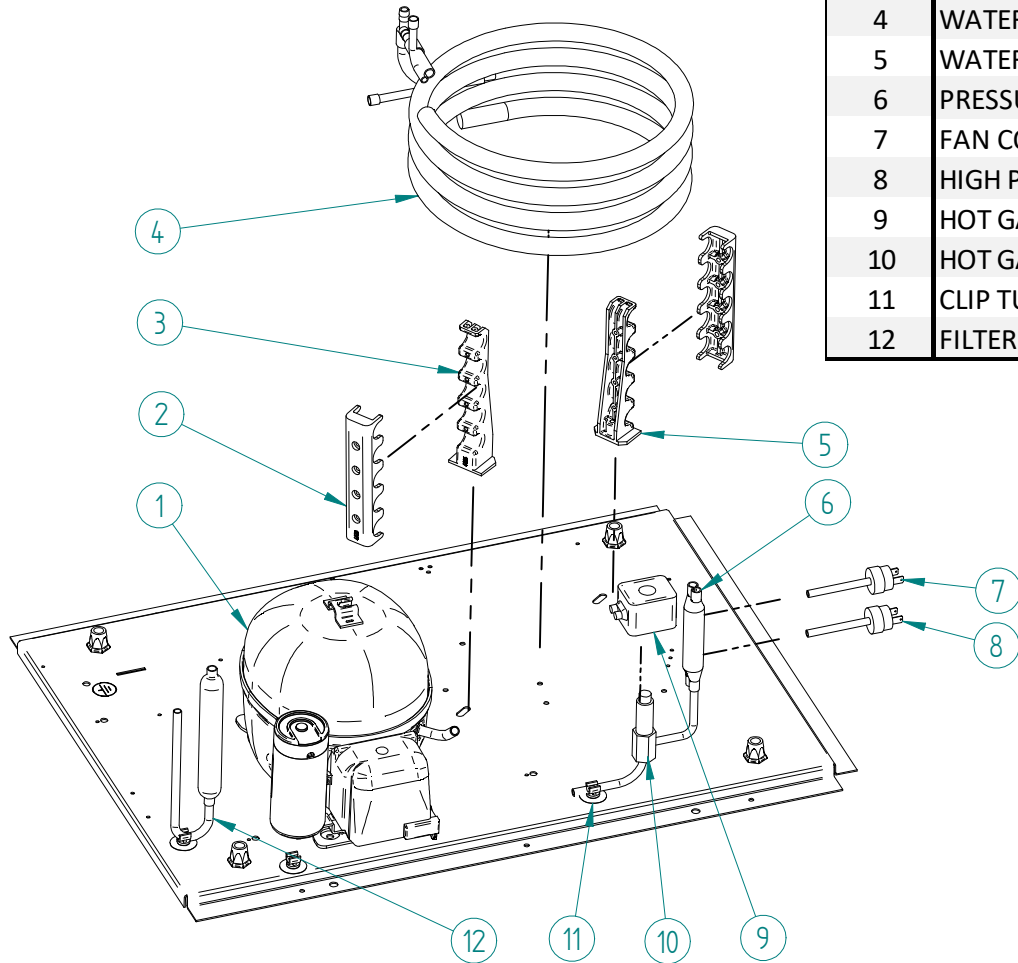


DESPIECE / REPUESTOS
EXPLODED VIEW / SPARE PARTS
EXPLOSIONSZEICHNUNG / ERSATZTEILE
VUE ÉCLATÉÉ / PIÈCES DÉTACHÉES
ESPLOSO / RICAMBI



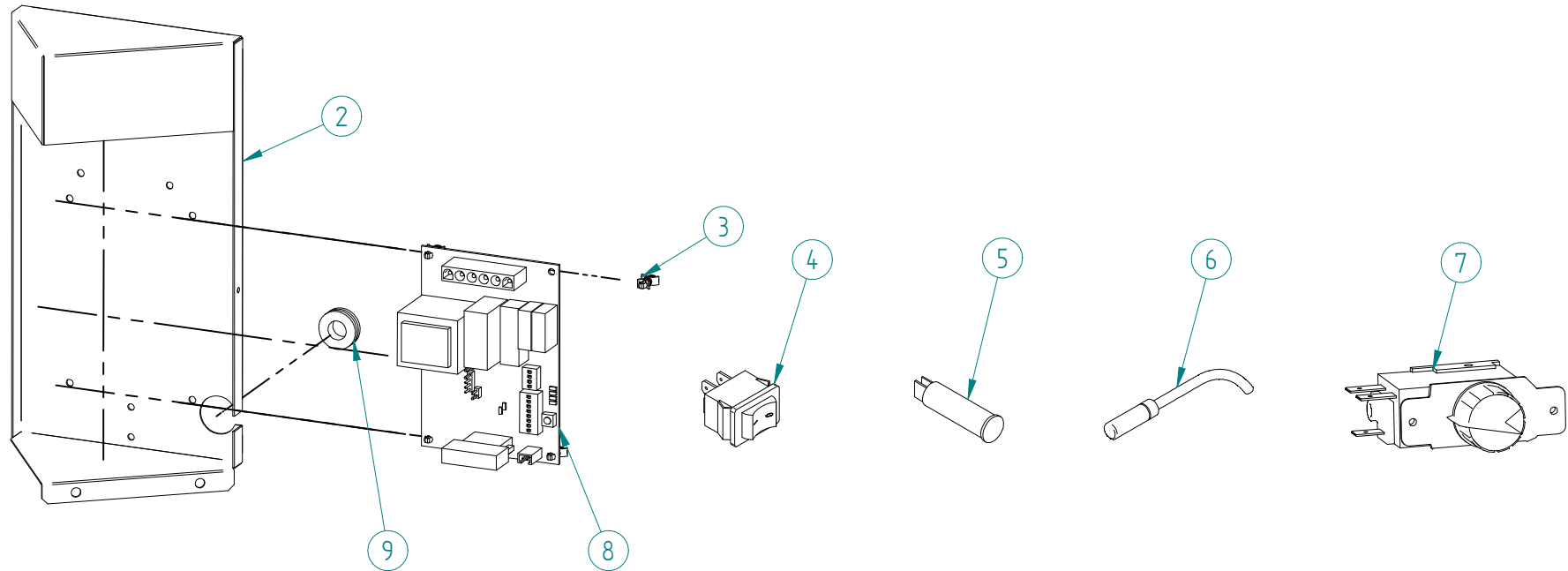
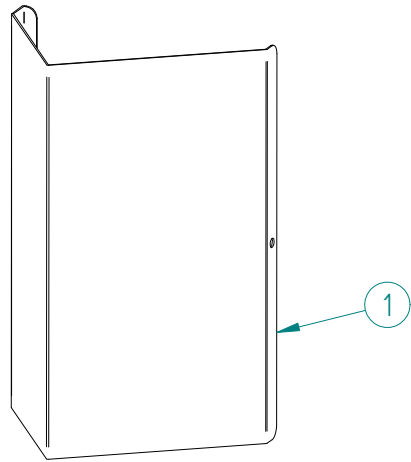
| ITEM | DESCRIPTION | 35 | 45 | 60 | 80 | 135 |
|------|-----------------------------------|-------|-------|--------|-------|-------|
| 1 | COMPRESSOR* 30GR - 220V/50HZ | 33302 | 33303 | | 31306 | 31309 |
| | 40GR - 220V/50HZ | 33301 | | | 33305 | 31307 |
| | 220V/60HZ | | 33302 | | 32761 | 33813 |
| 2 | CLIP TUBE | | | 3533 | | |
| 3 | FILTER DRIER | | | 7896 | | |
| 4 | FAN BLADE | | 4887 | | | 4231 |
| 5 | FAN MOTOR 220V/50-60HZ | | 28 | | | 445 |
| 6 | AIR CONDENSER | 486A | | 487A | 32251 | 32730 |
| 7 | PRESSURE SWITCH COLLECTOR | | | 31444 | | |
| 8 | FAN CONTROL PRESSURE SWITCH | | | 31160E | | |
| 9 | HIGH PRESSURE SWITCH | | | 31660E | | |
| 10 | HOT GAS VALVE - BODY | | 1473 | | | 6396 |
| 11 | HOT GAS VALVE - COIL 220V/50-60HZ | | | 5173 | | |

*SERIAL NUMBER MUST BE PROVIDED



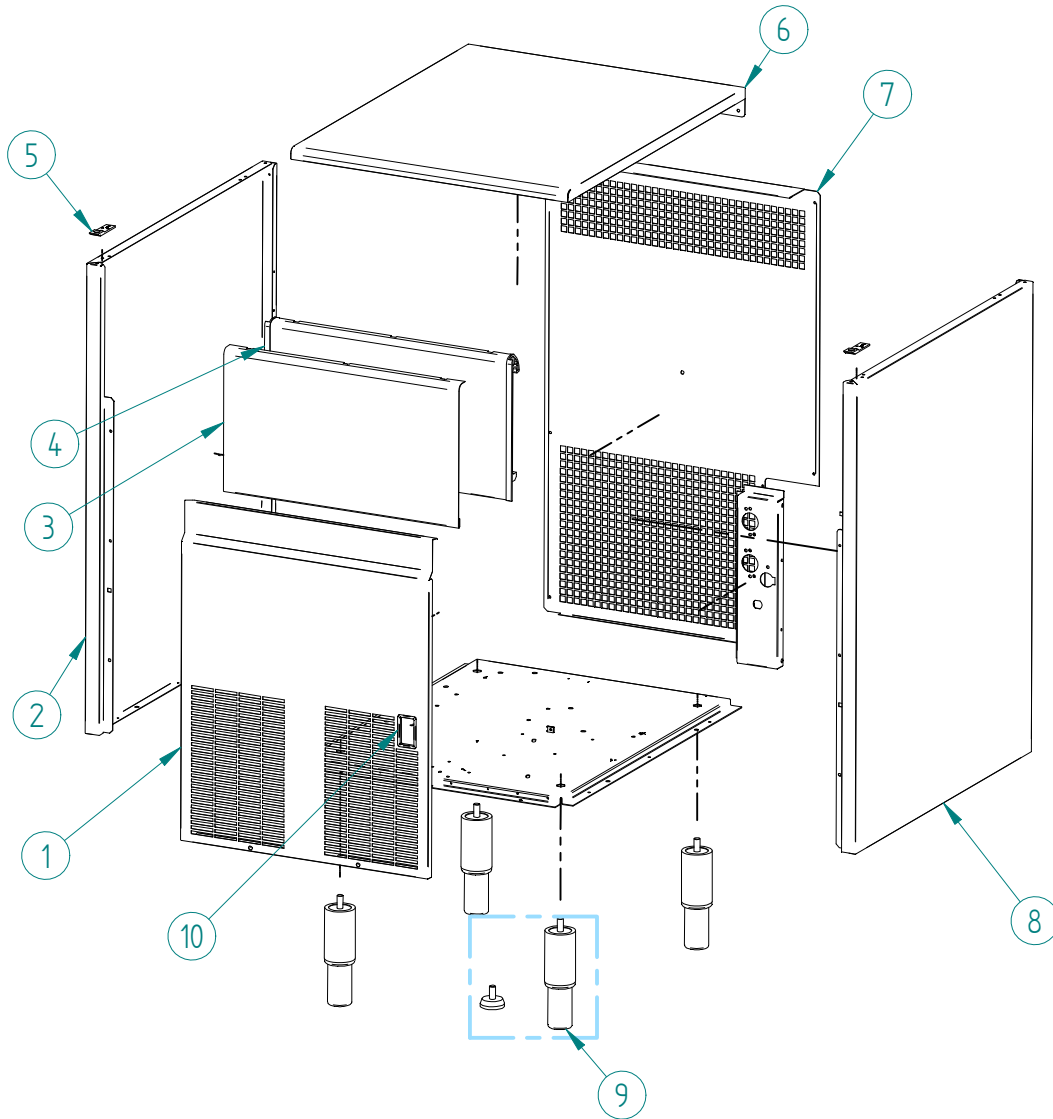
| ITEM | DESCRIPTION | 35 | 45 | 60 | 80 | 135 |
|------|----------------------------------|-------|-------|--------------|-------|-------|
| 1 | COMPRESSOR* | | | | | |
| | 30GR - 220V/50HZ | 33302 | 33303 | | 31306 | 31309 |
| | 40GR - 220V/50HZ | 33301 | | | 33305 | 31307 |
| | 220V/60HZ | | 33302 | | 32761 | 33813 |
| 2 | WATER CONDENSER EXTERNAL SUPPORT | | | 4038 | | |
| 3 | WATER CONDENSER UPPER SUPPORT | | | 4036 | | |
| 4 | WATER CONDENSER | 5242 | | 33035 | 5244 | 5246 |
| 5 | WATER CONDENSER LOWER SUPPORT | | | 4037 | | |
| 6 | PRESSURE SWITCH COLLECTOR | | | 31444 | | |
| 7 | FAN CONTROL PRESSURE SWITCH | | | 31160E | | |
| 8 | HIGH PRESSURE SWITCH | | | 31660E | | |
| 9 | HOT GAS VALVE - COIL | | | 220V/50-60HZ | 5173 | |
| 10 | HOT GAS VALVE - BODY | | | 1473 | | 6396 |
| 11 | CLIP TUBE | | | 3533 | | |
| 12 | FILTER DRIER | | | 7896 | | |

*SERIAL NUMBER MUST BE PROVIDED



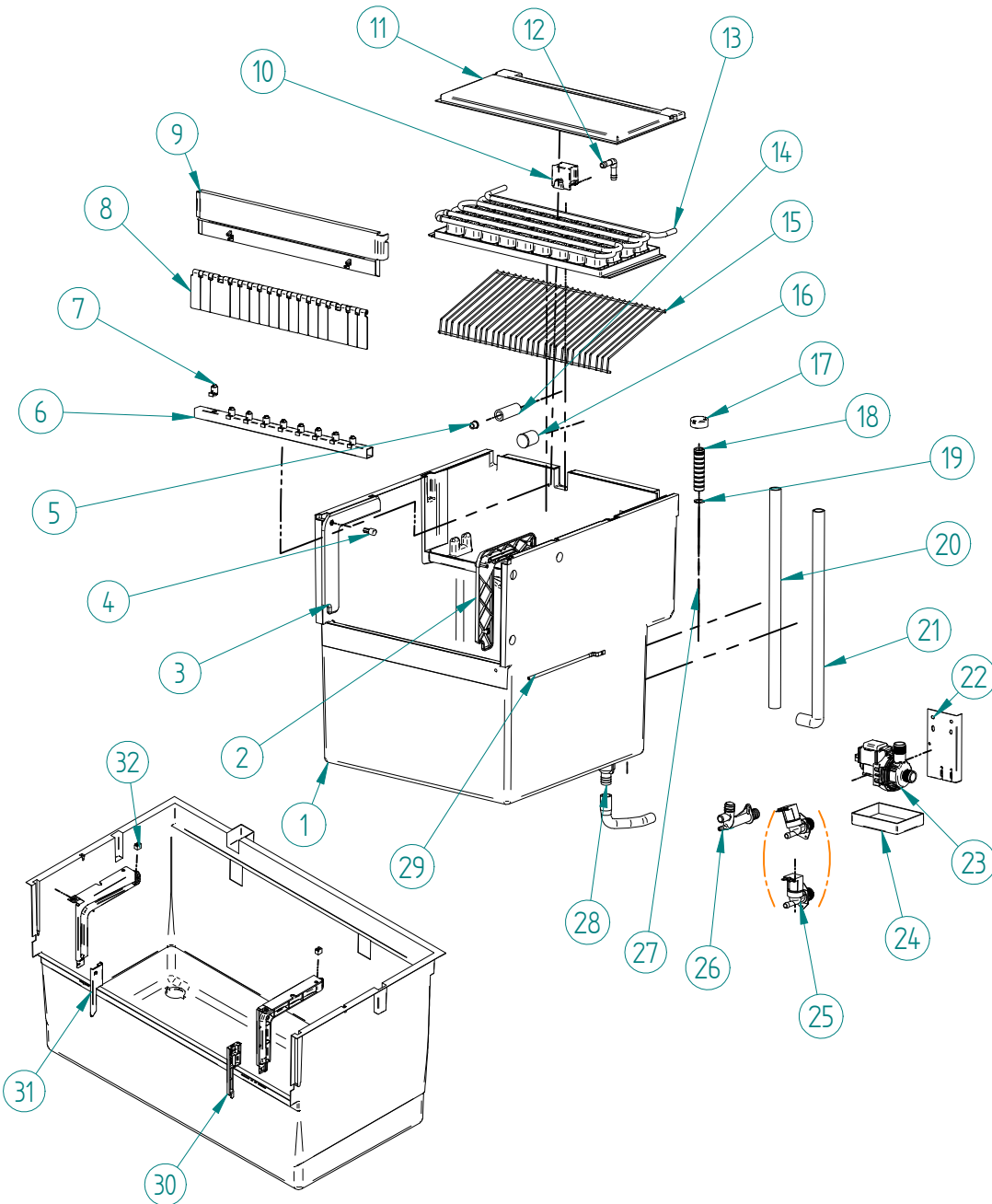
| ITEM | DESCRIPTION | 35 | 45 | 60 | 80 | 135 |
|------|-------------------------------|----|----|--------|----|-----|
| 1 | ELECTRIC BOX COVER | | | 31571A | | |
| 2 | ELECTRIC BOX SUPPORT | | | 31823A | | |
| 3 | ELECTRONIC BOARD CLIP | | | 31544 | | |
| 4 | MAIN SWITCH* | | | 32416 | | |
| 5 | LED* | | | 4280 | | |
| 6 | TEMPERATURE PROBE | | | 32644 | | |
| 7 | BIN THERMOSTAT | | | 31758 | | |
| 8 | ELECTRONIC BOARD 220V/50-60HZ | | | 33614 | | |
| 9 | WIRE HOLE | | | 31746 | | |

***SERIAL NUMBER MUST BE PROVIDED**



| ITEM | DESCRIPTION | 35/45 | 60 | 80 | 135 |
|------|---------------------|--------|--------|--------|--------|
| 1 | FRONT PANEL* | 2086UA | 2088UA | 2089U | 6453AU |
| 2 | LEFT PANEL | 4811 | 4813 | 4815 | 4817A |
| 3 | DOOR COVER | 6418 | 6419 | 6420 | N/A |
| 4 | DOOR | 4268A | 4269A | 4270A | 31146 |
| 5 | TOP PANEL FASTENING | | 8996 | | N/A |
| 6 | TOP PANEL | 4818V1 | 4819V1 | 4820V1 | 4821V1 |
| 7 | REAR COVER | 4108U | 4124U | 4138U | 4460U |
| 8 | RIGHT PANEL | 4810 | 4812 | 4814 | 4816A |
| 9 | LEGS | 4144 | | 1478 | |
| 10 | MAIN SWITCH SUPPORT | | 32442 | | |

***SERIAL NUMBER MUST BE PROVIDED**



| ITEM | DESCRIPTION | 35/45 | 60 | 80 | 135 | |
|------|---------------------------|------------------------|---------------------|-----------------|-----------------|----------------|
| 1 | BIN* | 7460B | 7461B | 7462B | 31012F | |
| 2 | RIGHT DOOR GUIDE | | 4272 | | 30668A | |
| 3 | LEFT DOOR GUIDE | | 4273 | | 30667A | |
| 4 | DOOR PIVOT | | 4276 | | N/A | |
| 5 | WATER FLOW RESTRICTOR | 805 | | | N/A | |
| 6 | SPRAY BAR | 7454 | 7455 | 7456 | 7497 | |
| 7 | SPRAY NOZZLE | | | 526 | | |
| 8 | CURTAIN ASSEMBLY | 8362 | 8363 | 8364A | 5957 | |
| 9 | CURTAIN HOLDER | 8176 | 8177 | 8178 | 4464B | |
| 10 | WATER INLET* | | | 32175 | | |
| 11 | EVAPORATOR COVER* | 4433A | 2297A | 33709 | 33688 | |
| 12 | WATER INLET PIPE* | | | 32174 | | |
| 13 | EVAPORATOR* | 30GR 40GR | 7423B 31359B | 7400A 31387A | 7156A 31366A | 7501A 31381 |
| 14 | SPRAY BAR TUBE | | | 4098 | | |
| 15 | ICE CUBES RAMP | 8904C | 8905A | 8906A | 8907B | |
| 16 | FILTER | | | 4505 | | |
| 17 | OVERFLOW CAP | | | 4427 | | |
| 18 | OVERFLOW PIPE | | | 4426 | | |
| 19 | O-RING | | | 4496 | | |
| 20 | WATER PUMP DISCHARGE TUBE | 4713 | 4724 | 4727 | 4886 | |
| 21 | WATER PUMP SUCTION TUBE | 8829 | 8830 | | 8831 | |
| 22 | WATER PUMP SUPPORT | 220V/50HZ 220V/60HZ | | 4613 32023 | | |
| 23 | WATER PUMP | 220V/50HZ 220V/60HZ | 4769 | | 8687 31981 | |
| 24 | WATER PUMP TRAY | | | 4521 | | |
| 25 | INLET WATER VALVE 1B | 220V/50-60HZ | 6980 + 33033 | | 6981+4527 | |
| | INLET WATER VALVE 2B | 220V/50-60HZ | 6981 + 4526 + 33033 | | 1913+4527+33033 | |
| 26 | DRAIN FITTING | | 363 | | 6206 | |
| 27 | HARVEST DRAIN TUBE | 4714 | 4726 | | 4729 | |
| 28 | BIN DRAIN TUBE | | 6021 | | 1907 | |
| 29 | THERMOSTAT TUBE | 4624 | 4627 | | 4624 | |
| 30 | LOWER RIGHT DOOR GUIDE | | N/A | | 30670 | |
| 31 | LOWER LEFT DOOR GUIDE | | N/A | | 30669 | |
| 32 | DOOR STOPPER | | N/A | | 1715 | |

*SERIAL NUMBER MUST BE PROVIDED